

Power Lab 120

Operator's Manual

READ THIS BOOK

This book has important information for the use and safe operation of this machine. Failure to read this book prior to operating or attempting any service or maintenance procedure to your American Sanders machine could result in injury to you or to other personnel; damage to the machine or to other property could occur as well. You must have training in the operation of this machine before using it. If your operator(s) cannot read this manual, have it explained fully before attempting to operate this device.

Table of Contents

Contents

| | |
|-----------------------------------|---|
| Operator Safety Instructions..... | 4 |
| Safety Instructions..... | 5 |
| Instructions For Use..... | 6 |
| Troubleshooting..... | 6 |
| Power Lab 120 Assembly..... | 7 |
| Warranty..... | 9 |

WARNING!

The Products sold with this Manual contain or may contain chemicals that are known to certain governments (such as the State of California, as identified in its Proposition 65 Regulatory Warning Law) to cause cancer, birth defects or other reproductive harm. In certain locations (including the State of California) purchasers of these Products that place them in service at an employment job site or a publicly accessible space are required by regulation to make certain notices, warnings or disclosures regarding the chemicals that are or may be contained in the Products at or about such work sites. It is the purchaser's responsibility to know the content of, and to comply with, any laws and regulations relating to the use of these Products in such environments. The Manufacturer disclaims any responsibility to advise purchasers of any specific requirements that may be applicable to the use of the Products in such environments.

*****This product is intended for commercial use only*****

Operator Safety Instructions

In this Operation Manual you will find three statements that you must read and observe to ensure safe operation of this device.

DANGER means: Severe bodily injury or death can occur to you or other personnel if the **DANGER** statements found on this machine or in this Operation Manual are ignored or are not adhered to. Read and observe all **DANGER** statements found in this Operation Manual and on your device.

WARNING means: Injury can occur to you or to other personnel if the **WARNING** statements found on your machine or in the Operation Manual are ignored or are not adhered to. Read and observe all **WARNING** statements found in this Operation Manual and on your device.

CAUTION means: Damage can occur to the machine or to other property if the **CAUTION** statements found on your machine or in this Operation Manual are ignored or are not adhered to. Read and observe all **CAUTION** statements found in this Operation Manual and on your device.



DANGER:



Failure to read the Owner's Manual prior to operating or servicing your American Sanders machine could result in injury to you or to other personnel; damage to the machine or to other property could occur as well. You must have training in the operation of this machine before using it. If you or your operator(s) cannot read English, have this manual explained fully before attempting to operate this device.



DANGER:

- A. Electrocution could occur if the Power Lab is being serviced while it is connected to a power source. Disconnect the power supply before servicing.
- B. Electrocution or fire could occur if the Power Lab is being operated with a damaged power cord. Do not carry the device by the power cord.
- C. Shock hazard. Do not use the device if it has been rained on or sprayed with water.



WARNING:

Any alterations or modifications of this device could result in damage to the device or injury to the operator or other bystanders. Alterations or modifications not authorized by the manufacturer voids any and all warranties and liabilities.



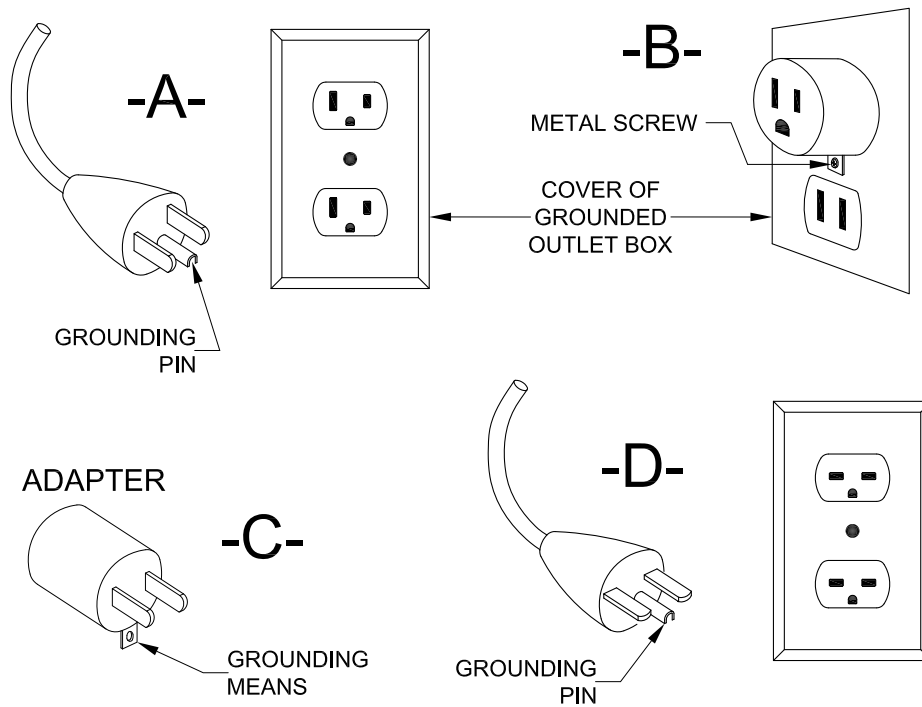
WARNING:

The Power Lab should only be connected to an individual 20A branch circuit.

Safety Instructions

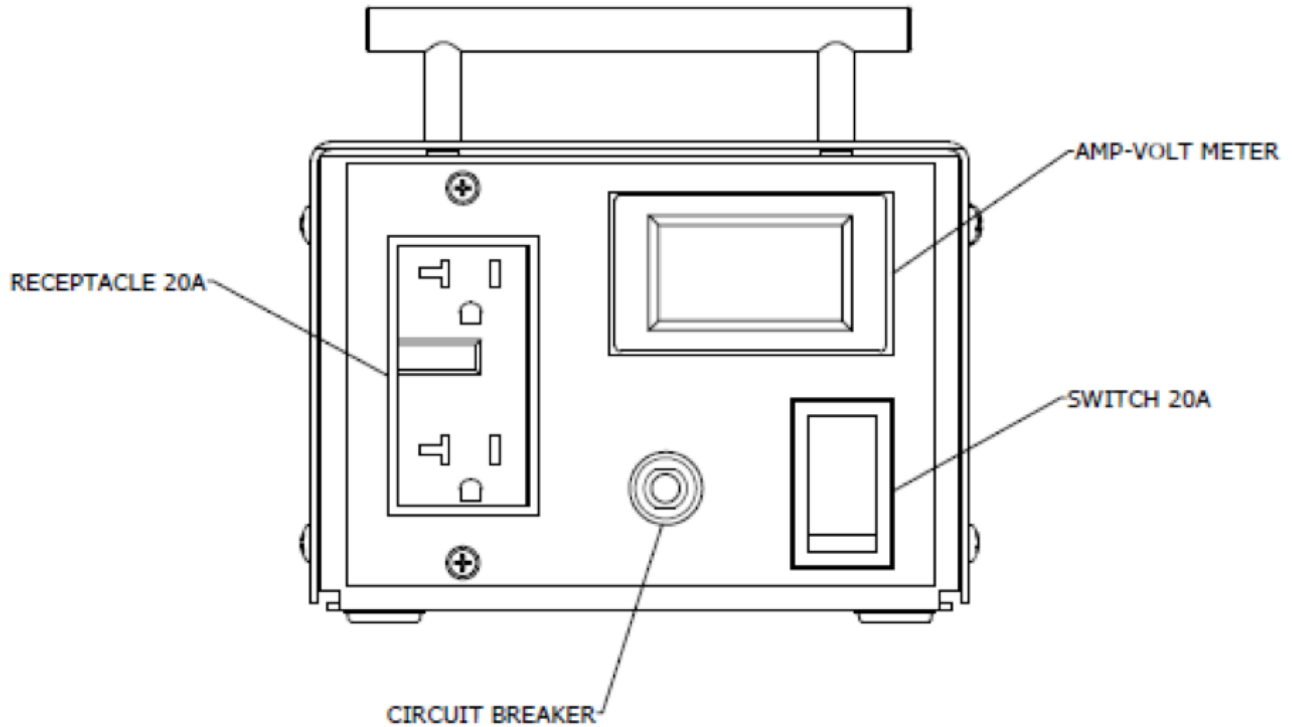
This device shall be grounded while in use to protect the operator from electrical shock. The device is provided with a three-conductor cord and a three contact grounding attachment plug to fit the proper grounding type receptacle. The green (or green and yellow) conductor in the cord is the grounding wire. Never connect this wire to other than the grounding pin of the attachment plug.

This device is for use on a nominal 120 volt circuit and has a grounding plug that resembles the plug illustrated as (A) in the sketch. Make sure that the device is connected to an outlet having the same configuration as the plug. No adapter should be used with this device.



Instructions For Use

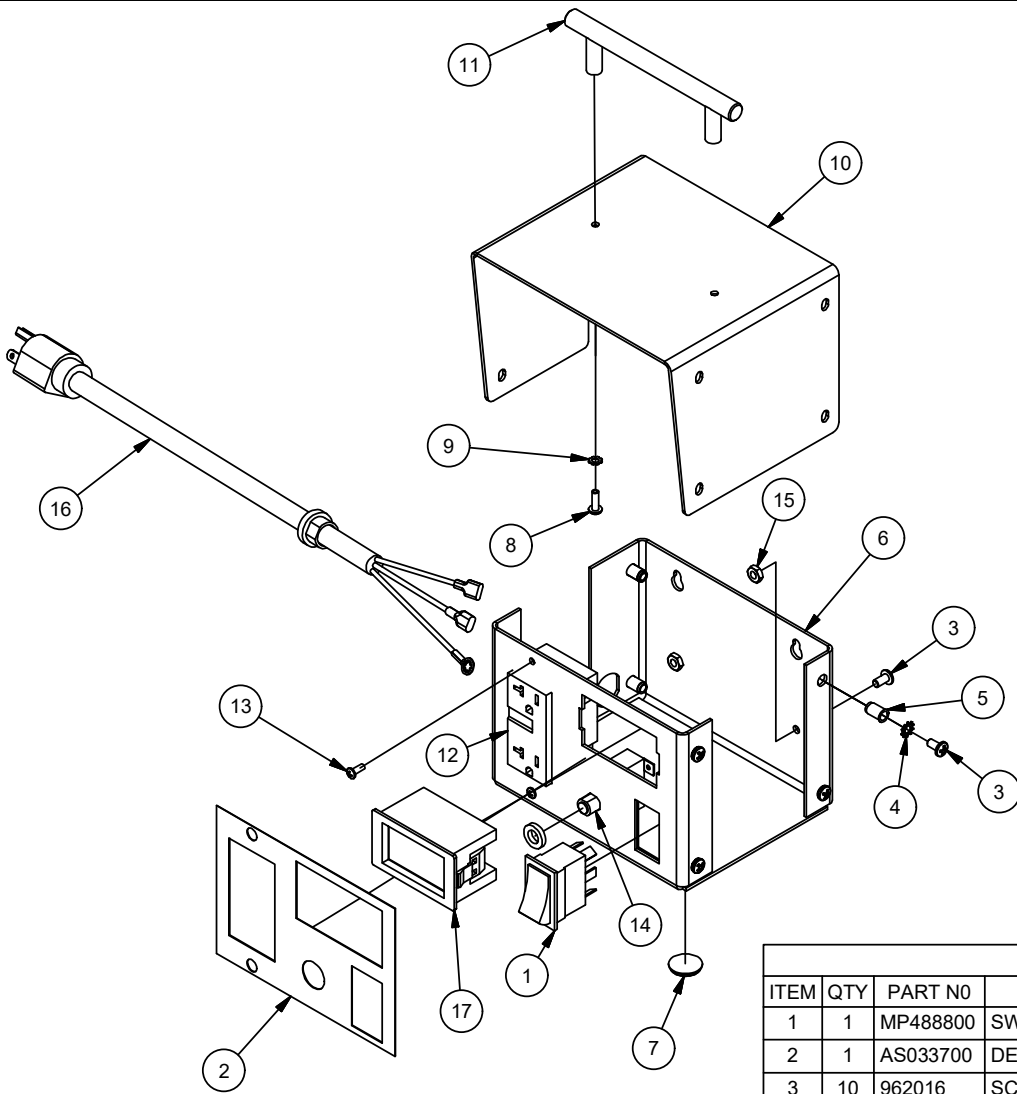
1. Plug Power Lab 120 into 120V, 20A receptacle.
2. Turn the device on by actuating the rocker switch into the “ON” position.
3. The Amp/Volt meter should now be illuminated.
4. Plug machine to be tested into the GFCI receptacle on the Power Lab 120.
5. As the machine is used, the Amp/Volt meter will display the Voltage and the Amperage being used by the machine.



Troubleshooting

| Problem | Possible Cause | Remedy |
|------------------------------------|----------------------------|---|
| Amp/Volt meter does not illuminate | GFCI has tripped | Push the “Reset” Button on GFCI receptacle. |
| | 20A Breaker has tripped | Push to reset the 20A breaker |
| | Power Switch is Off | Actuate the power switch into the “ON” position |
| | No voltage from power cord | Ensure that the Power Lab is plugged into a working receptacle. |

Power Lab 120 Assembly



| PARTS LIST | | | |
|------------|-----|----------|--------------------------------------|
| ITEM | QTY | PART NO | DESCRIPTION |
| 1 | 1 | MP488800 | SWITCH, ROCKER, DPST, 20A |
| 2 | 1 | AS033700 | DECAL, POWERLAB 120, FRONT PANEL |
| 3 | 10 | 962016 | SCREW, 10-24 X 1/2 RD ST MACH |
| 4 | 8 | 980603 | WASHER, LK 10 EXT TOOTH PLTD |
| 5 | 8 | NB009700 | INSERT, 10-24, COMPRESSION TYPE |
| 6 | 1 | AS026300 | BASE, POWERLAB 120 |
| 7 | 4 | AS025200 | FEET, RUBBER, .81" OD, .12" H, BLACK |
| 8 | 2 | 962027 | SCREW, PHILLIPS PAN HD, #8-32 X 1/2 |
| 9 | 2 | 87200A | WASHER, LOCK, 8 INT TOOTH |
| 10 | 1 | AS026400 | COVER, POWERLAB 120 |
| 11 | 1 | AS027000 | HANDLE |
| 12 | 1 | AS026500 | GFCI RECEPTACLE 20A |
| 13 | 2 | 85313C | SCREW, PAN HD, #6-32 X 3/8, PHILLIPS |
| 14 | 1 | 41410A | BREAKER, CIRCUIT |
| 15 | 2 | 920200 | NUT, HEX, 10-24 PLTD |
| 16 | 1 | AS032900 | CORD, POWER |
| 17 | 1 | AS030300 | AMP-VOLT COMBO METER |
| 18 | 1 | SN013000 | TAG, SERIAL, POWERLAB 120 |
| 19 | 1 | AS033400 | WIRE, JUMPER, BLK (NOT SHOWN) |
| 20 | 1 | AS033300 | WIRE, JUMPER, SW BLK (NOT SHOWN) |
| 21 | 1 | AS033200 | WIRE, JUMPER, WHT (NOT SHOWN) |
| 22 | 1 | AS033500 | WIRE, JUMPER, GRN (NOT SHOWN) |
| 23 | 1 | AS033000 | WIRE, JUMPER, WHT (NOT SHOWN) |
| 24 | 1 | AS033100 | WIRE, JUMPER, BLK (NOT SHOWN) |

Power Lab 120 Parts Manual

Notes:



Limited Warranty

Power Lab 120

TO QUALIFY FOR THIS WARRANTY

- (1) Device must be registered at the time of purchase. Register online at www.pioneereclipse.com/contact/registration. Please cooperate with your Distributor in supplying necessary information on the card.
- (2) The device must have been purchased from Amano Pioneer Eclipse Corporation or an authorized Amano Pioneer Eclipse Corporation Distributor.
- (3) This warranty extends to the original purchaser only and is not transferable to subsequent owners.

TIME PERIODS

- (1) ONE (1) YEAR WARRANTY - For the Power Lab 120

Warranted to be free from defects in material and workmanship for a period of one (1) year from the date of purchase by the original owners. (See Exclusions.)

EXCLUSIONS (Not Covered by Warranty)

- (1) Parts that fail through normal wear by reason of their characteristics (cords, or other consumable parts).
- (2) This warranty does not extend to parts affected by misuse, neglect, abuse or improper maintenance. All defective parts must be returned to the distributor for credit.

THE OBLIGATION OF Amano Pioneer Eclipse Corporation

- (1) The obligation of Amano Pioneer Eclipse Corporation under this warranty is limited to repairing or replacing, at its option, any part which is proven to be defective in material or workmanship under normal use for the applicable period stated above.
- (2) Warranty repairs will be made by your Amano Pioneer Eclipse Corporation Distributor without charge for parts and labor. They will be compensated with a warranty labor rate of \$45.00 per hour, for the first year of ownership.
- (3) Parts repaired or replaced under this warranty are warranted only during the balance of the original warranty period. All defective parts replaced under these warranties become the property of Amano Pioneer Eclipse Corporation.

WARRANTY SERVICE

To obtain warranty service, take your device and proof of purchase to any authorized Amano Pioneer Eclipse Corporation Distributor. Amano Pioneer Eclipse Corporation will not reimburse expenses for service calls or travel. For the Distributor in your area, call Amano Pioneer Eclipse Corporation Customer Service Department at 1-800-367-3550 or 1-336-372-8080. If you are dissatisfied with the service that you receive, call or email Amano Pioneer Eclipse Corporation Customer Service Department at apeccs@pioneereclipse.com for further assistance.

INSTRUCTIONS AND CONDITIONS FOR WARRANTY REIMBURSEMENT

- Order replacement part: Orders will be processed and charged, as normal procedure.
- Call Amano Pioneer Eclipse for R/A number.
- You will need the Device Serial Number and the Device Model Number.
- Parts must be returned, accompanied with the R/A number to be eligible for warranty credit.
- All Warranty Parts will be shipped prepaid UPS Ground, any other method will be at the recipients expense.
- Freight on any Warranty Part after 30 days must be paid for by the Purchaser.
- Warranty labor rate is \$45.00 per hour.
- Credit will be issued upon completion of the above steps, at the above rates.

Transportation of hazardous waste or contaminated equipment is subject to various laws and regulations. In returning machines, parts, or accessories under this limited warranty, the end user must certify in writing that the machines, parts, or accessories being returned have not been used for handling, clean up, or disposal of hazardous waste or hazardous materials including but not limited to such things as asbestos, anthrax etc. or if the machines, parts, or accessories being returned have been used for handling, clean up, or disposal of hazardous waste or hazardous materials, then the end user must have the machines, parts or accessories decontaminated by licensed and qualified decontamination professionals and provide written certification of this decontamination signed by the decontamination professionals. These machines, parts or accessories are to be returned only to the local Amano Pioneer Eclipse Service Center for warranty service along with decontamination certification.

DISCLAIMER OF CONSEQUENTIAL

AMANO PIONEER ECLIPSE CORPORATION DISCLAIMS ANY RESPONSIBILITY FOR LOSS OF USER TIME OF THE AMANO PIONEER ECLIPSE CORPORATION DEVICE OR ANY OTHER INCIDENTAL OR CONSEQUENTIAL DAMAGE EXCEPT AS STATED IN THE WARRANTY APPLICABLE TO EACH DEVICE. EXCEPT AS STATED IN SUCH WARRANTIES, THE COMPANY DOES NOT OTHERWISE WARRANT ANY DEVICE AND NO WARRANTY, EXPRESS, IMPLIED OR STATUTORY IS MADE BY THE COMPANY.

***Amano Pioneer Eclipse Corporation
reserves the right to change its warranty
policy without notice.***

Copyright 2018 Amano Pioneer Eclipse Corporation



Amano Pioneer Eclipse Corporation

1 Eclipse Rd ● PO Box 909
Sparta, North Carolina 28675 ● USA
www.pioneereclipse.com

+1-336-372-8080
1-800-367-3550
Fax 1-336-372-2913