



SAFR TECHNOLOGY



Propane Burnisher
PE400BU
Operator's Manual

Instructions For Use

Failure to read and understand this manual before operating this machine or performing service on this machine may result in injury to the operator or nearby personnel or result in damage to the machine or nearby property. Each operator must be trained in the operation of this machine before being allowed to use it. Contact Amano Pioneer Eclipse Customer Service at 1-800-367-3550 or +1-336-372-8080 or an authorized Amano Pioneer Eclipse Distributor to inquire about training or to request a replacement manual.

NOTICE

Proper maintenance is necessary with all propane powered floor machines. Following the scheduled maintenance procedures found in your operation manual will provide many years of uninterrupted service.



In addition to the scheduled maintenance procedures listed it is recommended to have your machine serviced by certified service personnel every three months. This service should include an emissions check.

DANGER! For your safety, if you smell propane:

1. Extinguish any open flame.
2. Open window.
3. Do not touch electrical switches.
4. Immediately call your propane supplier.

DANGER! Do not store or use gasoline or other flammable vapors and liquids in the vicinity of this or any other appliance.

Record This Important Information

Date of Purchase _____

Purchased From _____

Address _____

City _____ State _____ Zip _____

Phone _____ Contact _____

Machine Model _____

Machine Serial Number _____

Important Phone Numbers

Medical Emergency _____

Police _____

Fire Department _____

In this Operation Manual you will find three statements that you must read and observe to ensure safe operation of this machine.

DANGER! indicates that the possibility of severe bodily injury or death can occur if DANGER! statements are ignored. Read and observe all DANGER! statements included in the Operation Manual and attached to the machine.

WARNING! indicates that the possibility of bodily injury to the operator and other people can occur if WARNING! statements are ignored. Read and observe all WARNING! statements included in the Operation Manual and attached to the machine.

CAUTION! indicates that the possibility of damage to the machine or other property can occur if CAUTION! statements are ignored. Read and observe all CAUTION! statements included in the Operation Manual and attached to the machine.

Table of Contents

Quick Reference Specifications.....	5	Oil Change.....	19
Safety Precautions.....	6	Oil Filter Replacement.....	19
Refueling and Storage of Fuel Cylinders.....	8	Spark Plug Inspection and Replacement.....	20
Operator Responsibility.....	8	Air Filter Inspection and Replacement.....	20
Sound Pressure, Vibration Tests.....	9	Inspect Fuel Hose and Connections.....	20
Machine Preparation.....	10	Engine Dust Filter.....	21
Unpacking the Machine.....	10	Valve Clearance & Re-torque Heads.....	21
Filling the LP Cylinder.....	10	Valve Seating.....	21
Installing the LP Cylinder.....	10	Head Bolt Maintenance.....	21
Controls and Instruments.....	11	Cooling Fin Maintenance.....	21
Engine Ignition Switch.....	12	Inspect Pad and Padholders.....	21
Engine Throttle.....	12	Belt Maintenance.....	21
Hour Meter/Tachometer.....	12	Battery Maintenance.....	22
Handle Adjustment.....	12	Machine Storage.....	22
Fuse.....	12	Repacking the Machine.....	22
EcoSense Emission Monitoring.....	13	Transporting the Machine.....	22
SafeStop (optional).....	13	Machine Specifications.....	23
Rok-Bak & Pad Change.....	14	Parts Manual.....	24
Wheel Adjustment.....	14	Electrical Schematic.....	25
How the Machine Works.....	15	Connections.....	26
Pre-Operation Checklist.....	15	Electrical Schematic (w/Optional Clutch & EcoSense).....	27
LP Fuel Cylinder.....	15	Connections (w/Optional Clutch & EcoSense).....	28
Installing the LP Fuel Cylinder.....	15	Engine Assembly.....	30
Starting the Machine.....	16	Deck Assembly.....	32
Burnishing.....	16	Handle Assembly.....	34
Idling and Stopping the Machine.....	16	Main Assembly.....	36
Machine Troubleshooting.....	17	Regulator & Solenoid Assembly.....	38
Scheduled Maintenance Chart.....	18	Small Off Road Engine Certification Warranty.....	40
Maintenance.....	19	Safety Awareness Form.....	41
Oil Level Inspection.....	19		

Quick Reference Specifications:

Capacities:

- Engine Oil:
 - Filter not removed: 1.6qt. (1.5L)
 - Filter removed: 1.8qt. (1.7L)
 - Engine Oil Type: SAE30 with API Service Classification SH or SJ

Routine Maintenance Parts:

- Sentinel Synthetic Oil: MP507700
- Engine Dust Filter: MP035200
- Engine Oil Filter: KA490657007
- Engine Primary Air Filter (Paper Element): KA110130752
- Engine Air Pre-Cleaner (Foam Element): KA110137046
- Spark Plug: KA920702112
- Battery: MP362200
- Drive Belt: MP8070 (21")
MP272900 (28")
- Fuses: SS2570 (20A)
- LP Cylinder: MP105900 (Steel)

Your Authorized Amano Pioneer Eclipse Distributor: _____

Authorized Amano Pioneer Eclipse Distributor Phone Number: _____

Amano Pioneer Eclipse Phone Number: +1-336-372-8080

Safety Precautions

Anyone operating the machine should read the following carefully and be informed of potentially dangerous operating conditions. Operators should be familiar with the location and use of all safety devices on the machine. Do not use the machine if it is not in proper operating condition, and report any damage or operation faults immediately.

DANGER! Operate this machine in a well-ventilated area. It is the responsibility of the machine operator, machine owner, and the site manager to ensure that the air exchange system where the machine is to be used is in compliance with local building codes and is operating properly. Failure to operate this machine in a well-ventilated area could lead to sickness, injury, or death from carbon monoxide (CO) exposure.

DANGER! This machine emits CO, which is colorless, odorless, non-irritating gas. The first symptoms of CO exposure include headache, drowsiness, dizziness, and nausea. If you should experience any of these symptoms while operating the machine, shut off the machine and go outside to get fresh air. Have the machine tested for CO emissions by a qualified service technician before using it again.

DANGER! Prolonged or high exposure to CO may result in vomiting, confusion, and collapse in addition to loss of consciousness and muscle weakness. If such symptoms occur, call 911 for emergency medical attention. If you have experienced these symptoms, **DO NOT** operate this machine or any other propane machine again until cleared by a physician. Excessive exposure to CO can result in death.

DANGER! Propane is a highly flammable fuel. If you smell propane, shut off the machine immediately and take it outside the building. **DO NOT** use the machine again until a qualified service technician has corrected the propane leak. **DO NOT** use or allow another person to use an ignition source such as a cigarette lighter near the propane machine. **DO NOT** smoke near the propane machine. **DO NOT** vent a propane cylinder inside a building. **DO NOT** store propane cylinders inside a building.

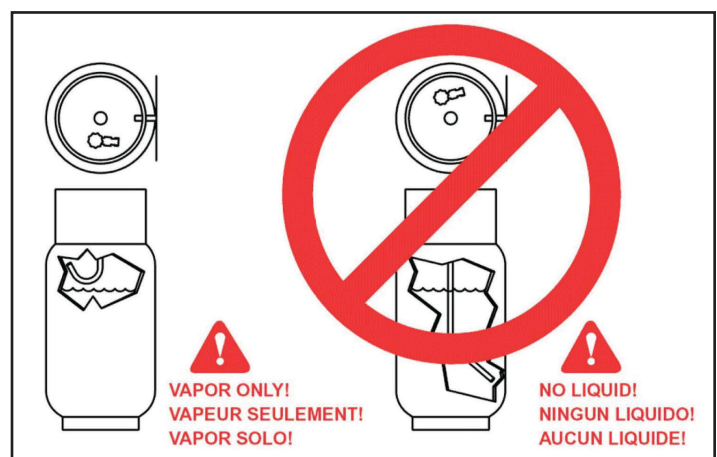
DANGER! This machine has parts, including the pad assemblies, that can cause severe injury if these parts are contacted while they are moving. **DO NOT** allow any part of the body or clothing to come in contact with these parts while they are moving. **DO NOT** try to change attachments while the machine is running. **DO NOT** allow other people to come near the machine while it is in operation. **DO NOT** allow the machine to run unattended. **DO NOT** leave the machine in a place where unauthorized or untrained personnel could use the machine. **DO NOT** run the machine with the pad off center, damaged or missing. **DO NOT** run machine with unsecured guards and shields. **DO NOT** operate the machine if the machine has loose parts.

DANGER! Federal law and California State law prohibits the following acts or the causing thereof: (1) the removal or rendering inoperative by any person other than for purposes of maintenance, repair, or replacement, of any device or element of design incorporated into any new engine for the purpose of emission control prior to its sale or delivery to the ultimate purchaser or while it is in use, or (2) the use of the engine after such device or element of design has been removed or rendered inoperative by any person.

Among those acts presumed to constitute tampering are the acts listed below: **DO NOT** tamper with the original emission related part.

- Throttle body and internal parts
- Spark plugs
- Magneto or electronic ignition system
- Air cleaner elements
- Crankcase
- Cylinder heads
- Breather chamber and internal parts
- Intake pipe and tube
- Regulator
- Fuel lock-off

WARNING! Overfilled or liquid withdraw cylinders can damage the fuel system and create a fire hazard. **DO NOT** overfill the cylinder or use a liquid withdraw cylinder on the machine. If the regulator freezes stop the burnisher and take the cylinder outside. Inspect cylinder, if a vapor withdraw cylinder, use gloves or pliers to open bleeder valve and purge cylinder until only vapor is escaping. If it is a liquid withdraw cylinder, replace with a vapor withdraw cylinder. Both cylinders are shown below.



WARNING! Modifications or alterations to this machine can lead to personal injury or damage to the machine. **DO NOT** make unauthorized modifications or alterations to this machine. Amano Pioneer Eclipse assumes no liabilities for injury or damage resulting from an unauthorized modification or alteration to the machine. Any unauthorized modification or alteration to this machine voids all warranties.

WARNING! The muffler and the engine become hot enough while the machine is in operation, and for a long time after the machine is shut off, to cause severe burns. **DO NOT** touch these parts of the machine until they have cooled.

WARNING! Injury can occur to the eyes and body while using the machine. Safety goggles, safety shoes, and safety clothing are recommended while operating the machine.

WARNING! Continuous exposure to high noise levels can cause hearing loss. Hearing protection is recommended while the machine is in operation.

WARNING! Machine vibration may cause tingling or numbness in the fingers or hands. Gloves are recommended to reduce machine vibration. If tingling or numbness persists, shut off the machine. If the vibration is caused by loose parts, adjust or tighten these parts before using the machine again.

CAUTION! A dirty engine filter can cause overheating. Check and replace following recommended maintenance schedule.

CAUTION! Overheating can be caused by insufficient or low oil. Check oil before each use, and fill or change as needed.

CAUTION! Never over-fill engine with oil. Over-filling could cause irreparable damage to the engine.

CAUTION! Overheating can be caused by dirty oil. Check oil before each use and change regularly following recommended maintenance schedule.

CAUTION! Do not engage starter for more than 5 seconds. Allow a 10 second cool-down period for second failed start-up attempt.

CAUTION! Perform all recommended scheduled maintenance. Regular maintenance of your propane powered floor machine is necessary to keep it in safe working condition.

CAUTION! DO NOT operate machine unless trained and authorized. **DO NOT** operate machine unless you have read and understand the operation manual. **DO NOT** operate machine in flammable or explosive areas.

CAUTION! Before starting machine ensure all safety devices are in place and functioning properly. Before starting machine check for proper operation.

CAUTION! When using machine, go slowly on inclines or slippery surfaces. Use care when operating machine in reverse.

CAUTION! When servicing machine, stay clear of moving parts. **DO NOT** wear loose clothing when working on machine. Block machine wheels before raising or jacking up machine. Use hoist stands that will support the weight of the machine. Wear eye and ear protection when using pressurized air or water. Disconnect battery connections before servicing machine. Use only replacement parts supplied by Amano Pioneer Eclipse or a Amano Pioneer Eclipse Authorized Distributor or Service Center.

CAUTION! When loading or unloading machine onto or off a truck or trailer, turn machine OFF. Only use a truck or trailer that will support the weight of the machine to transport. **DO NOT** push the machine onto or off a truck or trailer unless the load height is 15 in (380mm) or less from the ground. Block machine wheels when transporting. Tie the machine down securely to truck or trailer when transporting.

This machine is manufactured for commercial use only

This machine is designed and manufactured for indoor use in burnishing wax coated hard floor surfaces. Amano Pioneer Eclipse does not recommend use of this machine in any environment other than an indoor environment. This propane powered floor machine is designed and manufactured for commercial floor burnishing only. This machine is designed to burnish most modern types of floors including composition tile, stone, marble, terrazzo, and resilient floor covering, and some coated wood floors. Even though NFPA 11.13.2.3 says..."the use of floor maintenance machines in buildings frequented by the public, including the times when such buildings are occupied by the public, shall require the approval of the authority having jurisdiction." Amano Pioneer Eclipse suggests usage when occupancy of a given work area is minimal.

These machines should not be used

- In nursing homes, hospitals, day-care centers, etc. that are occupied.
- By unqualified or untrained personnel.
- Unless properly maintained and adjusted.
- On areas with obstructions such as thresholds, floor outlet boxes, etc.
- In areas where loose debris or other objects are present.
- In rooms and areas without proper ventilation.

Operator Responsibility

The operator is responsible for performing the recommended daily maintenance and checkups of the machine to keep it in good working condition. The operator must inform the service mechanic or supervisor when recommended maintenance procedures are required as described in the "MAINTENANCE" section of this manual.

- Read this manual carefully before operating this machine.
- FOR SAFETY: **DO NOT** operate machine before reading and understanding the operation manual.
- Check the machine for shipping damage.

Keep your machine regularly maintained by following the maintenance information in this manual. Order parts and supplies only from an Authorized Amano Pioneer Eclipse Distributor. Use the parts illustration section of your manual when ordering parts. During and after operation, perform the recommended daily and hourly procedures outlined in the Maintenance Chart.

Refueling and Storage of Fuel Cylinders

This machine uses a 20lb (9.1kg) capacity aluminum or steel cylinder, which meets the DOT 4E240 standards. These cylinders are also listed by UL. In addition, the steel cylinder meets European TPED specifications and is CE compliant. Filling should be done **ONLY** by a qualified propane dealer. **FILL THROUGH THE SERVICE VALVE ONLY.** A properly filled cylinder should not exceed 80% of the rated capacity.

DO NOT attempt cylinder repair. Return the cylinder to your propane dealer if repair is necessary. Please note that DOT regulations prohibit shipping of cylinders after the cylinder has been filled with propane. When not in use, cylinders should always be stored outside in an upright position in a secure, tamper-proof, steel mesh storage cabinet. The cabinet may be located next to the building, but with at least five feet (1.5 m) of space between the cabinet and the nearest building opening (door or window).

The cylinder to be used on this machine is a vapor withdraw cylinder. **A liquid withdraw cylinder is not to be used with this machine.** The use of a liquid withdraw cylinder on a vapor withdraw system could freeze the regulator and create a fire hazard. The National Fire Protection Association (NFPA) Standard for Storage and Handling of LP Gas is the appropriate authority for safe propane use. A copy of this publication is available through the National Fire Protection Association (1-800-344-3555) or www.NFPA.org.

Test for Operator-Ear Sound Pressure Level

Amano Pioneer Eclipse measures and rates the operator-ear sound pressure level for hand-guided floor treatment and floor cleaning machines for industrial use. All tests are performed in accordance with European Machinery Directive (2006/42/EC).

- Outdoor test area consists of a flat open space free from effects of signboards, buildings or hillsides for at least 15 m (50 ft) from the center of the test surface. Indoor tests are conducted in a semi-anechoic or sound deadening room.
- The test surface is a single sheet of floor covering at least 1 m (3.3 ft) wider and longer than the equipment being tested. In order to not affect the sound reading, the observer taking readings is at least 2 m (6.6 ft.) from the equipment being tested, or standing directly behind the operator.
- All machines are tested while stationary and centered on the test surface. With the traction drive in neutral (where applicable) the test is conducted with the machine at maximum engine or motor speed as specified by the manufacturer.
- The operator is located in the normal operating position with the microphone or meter supported independent of the machine, 1,68 m (66 in) above the test surface, 25 cm (10 in) to the right and left centerline of the operators position, and 20 cm (8 in) to the rearmost point of the handle, with the handle in the most forward position.
- The sound level meter is observed for a minimum of 5 seconds or until a stabilized reading is obtained. The maximum repeatable sound level observed during the test at each microphone position is recorded and documented.

Test for Hand-Arm Vibration at the Grip Surface of Hand-Guided Machinery

Amano Pioneer Eclipse measures and rates the vibration at the machine-hand contact surface of hand-guided machines that are provided with handles in accordance with European Machinery Directive (2006/42/EC).

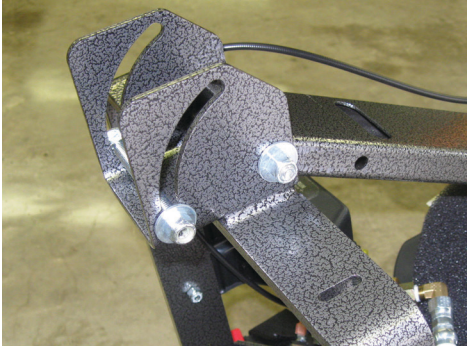
- The test area consists of a flat open floor area that allows the machine to be operated normally.
- The transducer is mounted firmly at a point halfway along the length of the handle where the handle would normally be held.
- Machines are tested while stationary, with all mechanisms necessary for the equipment to perform its intended functions engaged and the traction drive in neutral (if applicable). The machine will be tested at maximum engine or motor speed as specified by the manufacturer of the subject machine.
- The measurements are recorded from the dominant axis.

Machine Preparation

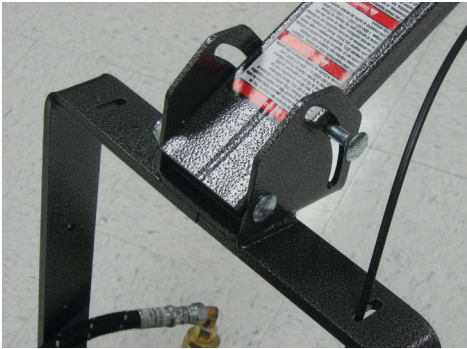
Unpacking the Machine

The machine is shipped boxed on a wooden pallet
Tools Required: Utility Knife, Pliers, Pry Bar and 9/16" Wrench. To unpack machine:

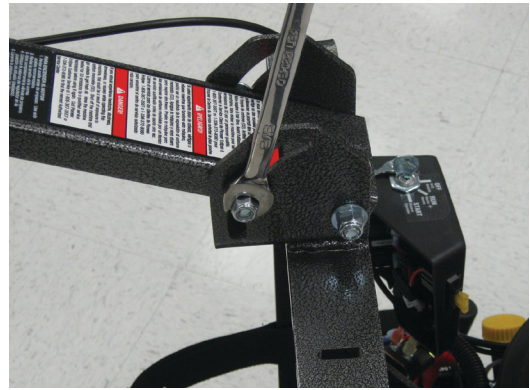
1. Cut and remove bands holding the box to the pallet.
2. With pliers, remove staples attaching the box to the platform at the bottom edge of the box.
3. With two people, one at either end of the box, lift box straight up and off machine.
4. Cut and remove bands securing the machine to the pallet.
5. Remove back brace with pry bar.
6. Using a 9/16" wrench, remove hex lock nut, bolt, and washer from handle.



7. Rotate handle to the user position. Then insert the bolt through the handle bracket and handle top.



8. Place the washer and hex lock nut on the bolt. Adjust the handle to the desired height and tighten the hex lock nut with the 9/16" wrench.



9. Check machine fluid levels (engine oil). See *Maintenance* section.

NOTE: If machine was shipped by airfreight, add engine oil.

10. Carefully back the machine off of the pallet.

Filling the LP Cylinder

This machine uses the 20 lb (9.1 kg) capacity cylinder, which meets the D.O.T. 4E240 standards. These cylinders are also listed by UL. In addition, the steel cylinder meets European TPED specifications and is CE compliant. Filling should be done **ONLY** by a qualified propane dealer. A properly filled cylinder should not exceed 80% of the rated capacity. Do not overfill the cylinder or use a liquid withdraw cylinder on the machine. The use of a liquid withdraw cylinder on a vapor withdraw system could freeze the regulator and create a fire hazard.

Installing the LP Cylinder

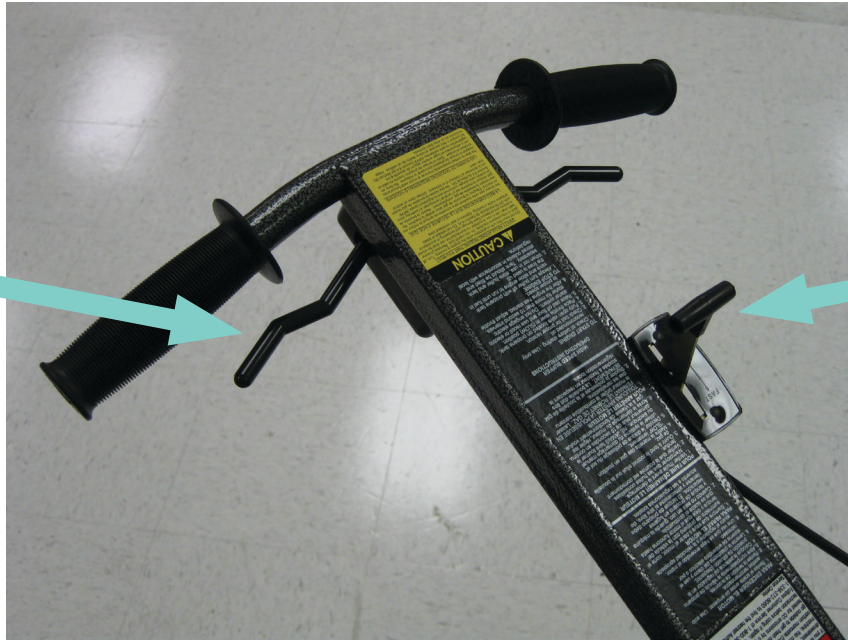
Place the cylinder on the cylinder platform at the back of the machine. Connect the fuel hose coupling to the service valve by turning to the right (clockwise). **HAND TIGHTEN ONLY!** Make sure coupling is not cross threaded and check for leakage by noting any propane odors immediately after cylinder is connected. Finally, secure the tank to the machine using the adjustable strap. Remove slack by pulling on the loose end and securing with the velcro.

TO REMOVE THE LP CYLINDER, reverse the above procedure. Always connect or change cylinders in a well-ventilated area.

Machine Components

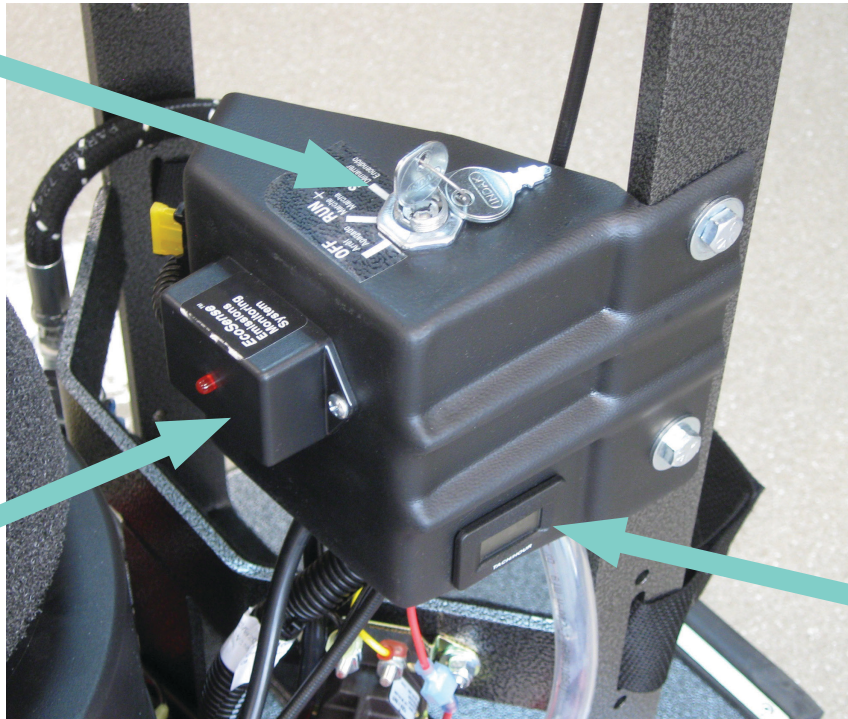
Controls and Instruments

**Clutch Switch
Lever**
(Optional Clutch)



**Engine
Throttle**

**Ignition
Switch**



**EcoSense
Module w/
Indicator Light**
(Optional)

**Hour Meter /
Tachometer**

Ignition Switch

This machine features a key switch ignition.

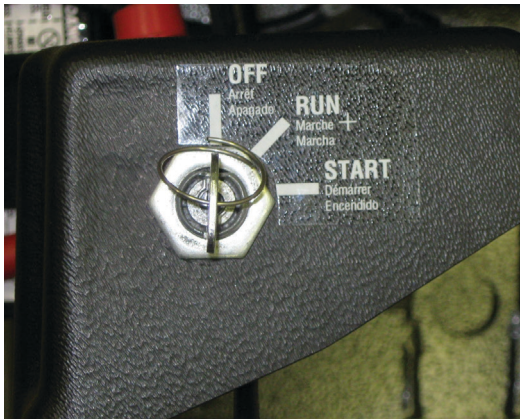
Start: Turn the key all the way clockwise or START to engage the engine starter motor. Once the engine starts release the key.

NOTE: Always start this machine with the engine throttle in the idle or “slow” position.

Run: This is the position of the key while the engine is running.

Off: Turn the key to the “OFF” position to stop the engine from running.

NOTE: For safety, always close the propane cylinder valve to stop the engine and then turn the key switch to the “OFF” position.



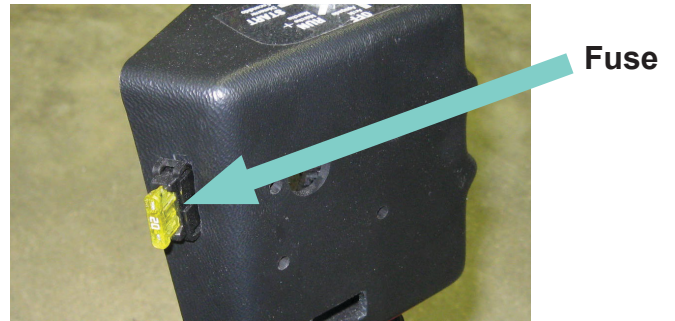
Hour Meter / Tachometer

The hour meter / tachometer records the number of hours the machine has been powered ON. The hour meter reading is used to mark recommended maintenance intervals. It also displays the engine speed. This meter displays hours when the machine is turned OFF and engine speed when the machine is turned ON.



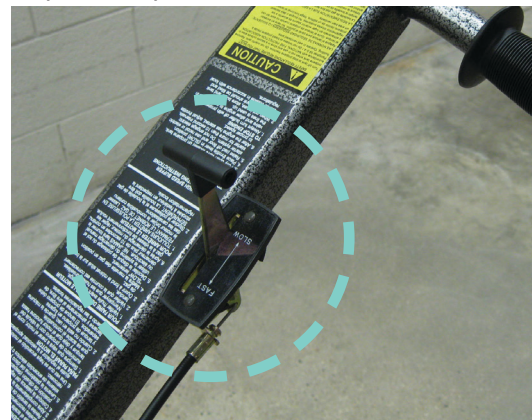
Fuse

The machine’s electrical circuit is protected by a fuse, which stops the flow of current in the event of a circuit overload. Once a fuse blows, it must be replaced. If the overload that caused the fuse to fail is still present, the new fuse will fail and the problem must be corrected. **DO NOT** bypass any fuse. The ignition fuse is located on the side of the starter switch panel.



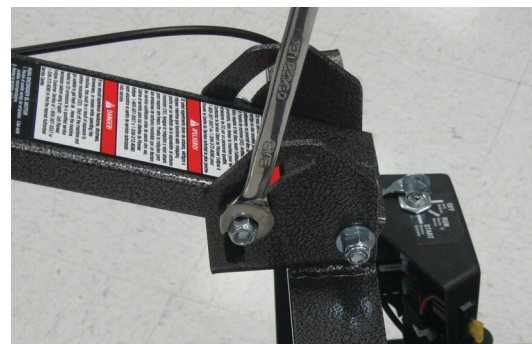
Engine Throttle

The engine throttle controls the engine speed. To increase engine speed, move the hand lever forward. For idle position, pull the lever back.



Handle Adjustment

1. The height of the handle can be adjusted by raising or lowering the handle.
2. If necessary, use a wrench to loosen the nut that retains the handle in the adjustment bracket.



EcoSense Emission Monitoring (Optional)

Machines with model numbers ending in “X” are equipped with the EcoSense Emissions Monitoring system. EcoSense is an emissions monitoring device that monitors the exhaust emissions and will shut the engine down if the emissions levels are too low or too high.



The monitor must receive a signal from the oxygen sensor in order to function. If it did not have a minimum reading requirement it would be possible to disconnect the oxygen sensor and operate the unit, even if the emissions were out of limits. In order for the unit to work as designed it must be able to read both low and high signals, with “not to exceed limits” of both.

The oxygen sensor must reach operating temperature before it will start to send signals to the EcoSense module. This time is set at one minute. A unit may shut down at a cold start up after one minute because the oxygen sensor did not reach required temperature to start to send signals. If this happens, turn the key to the off position several seconds to clear the EcoSense module and restart the engine. Once the engine has started, advance the throttle to full throttle position and start the operation. With the engine at full throttle under load, the signal from the oxygen sensor should be within the normal operating ranges for safe operation. If the engine’s air intake filter needs to be serviced, or an over-filled cylinder has been installed by mistake, or there is a problem with the fuel system that causes the oxygen sensor’s signal to be out of range, EcoSense will shut the unit down in four minutes. The unit can be re-started after clearing the module by turning off the key switch. If corrections have not been made to the unit, EcoSense will continue to shut the unit down after the one minute warm-up and/or four minute out of limit periods.

Engines tend to go to lean burn if allowed to idle for even short periods. Even at high idle speeds most engines will continue to lean downward. It is always best to shut the engine off when it is not being used to do work. Remember the engine is always creating emissions as long as it is running.

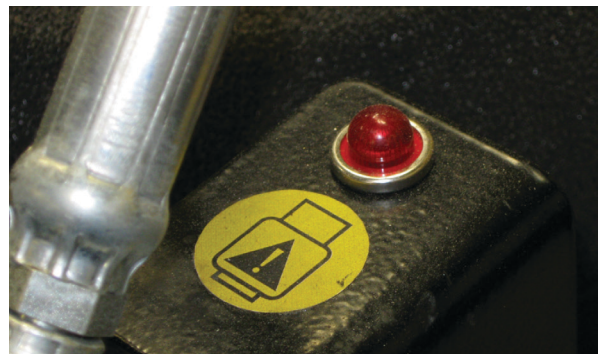
The best manner to operate a unit equipped with EcoSense is as follows.

1. With the throttle in the slow position, turn the key switch to the start position, once the engine starts, advance the throttle to full throttle “fast”.
2. When ready to stop operation, release clutch (if equipped) and move throttle to the slow position. If the unit will not be used within one minute, turn the key switch to the off position. If the unit will not be returned to service within a few minutes it is best to turn the gas valve on the tank off first and let the engine consume all fuel that is in lines. Once the engine dies, turn the key switch to off position.
3. When ready to restart, open the gas valve on the tank, put the throttle in slow position and turn key switch to the start position. Once the engine has started, move throttle to full position and return to operation.

SAFR™ technology monitors the pressure between the air filter and the carburetor. As the air filter becomes dirty, this pressure decreases. With **SAFR™** technology, this change in pressure results in a reduction in fuel delivered to the engine. The net result is a Steady Air Fuel Ratio regardless of the air filter condition.

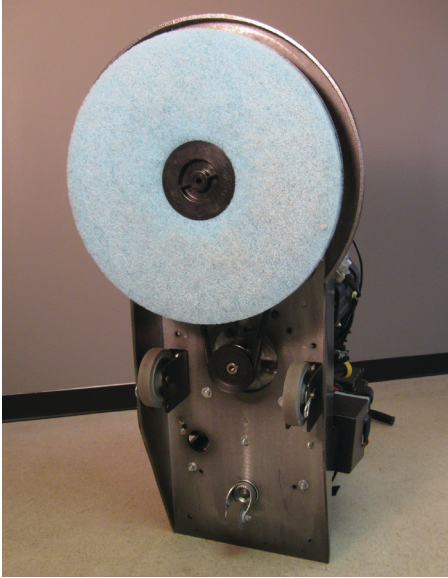
SafeStop (optional)

SafeStop is a system that monitors the fuel system and stops engine operation if either an overfilled cylinder or liquid draw cylinder is used. If SafeStop is activated, the red LED will illuminate and the engine will stop operating. If this occurs, remove the cylinder from the machine, take the cylinder outside, and verify it is a properly filled vapor draw cylinder. Note: This system is not a substitute for properly inspecting propane cylinders prior to bringing inside a facility. Overfilled or liquid draw cylinders can damage the fuel system and create a fire hazard. Refer to the Safety Precautions section in this manual.



Rok-Bak & Pad Change

1. Close the valve on the propane cylinder, allow the engine to stop and turn the machine OFF.
2. Remove the propane cylinder.
3. Raise the handle to the full-up position (about a 45° angle).
4. Lift up on the front of the deck rocking the machine back until it rests on the handle grips.



5. Remove centering device and inspect pad. If pad has worn to less than a 1/4" (6mm) thick, replace it.



CAUTION! Carefully inspect the pad holder for cracks or damage. Replace if necessary.

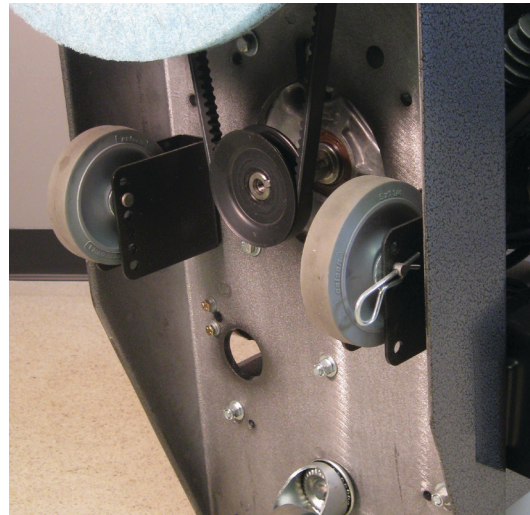
WARNING! A damaged pad holder rotating at high speeds may be an extreme hazard if it should come apart.

6. When lowering the machine down, do not drop the machine. Slowly lower the machine to the floor until the wheels are on the ground.

Wheel Adjustment

1. Close the valve on the propane cylinder, allow the engine to stop and turn the machine OFF.
2. Remove the propane cylinder.
3. Raise the handle to the full-up position (about a 45° angle).
4. Rock the machine by lifting up on the front of the machine until it rests on the handle grips.
5. Remove the pin that retains each wheel and relocate to the desired wheel position.

NOTE: To increase pad pressure (more aggressive) move wheels to rear of machine. To decrease pad pressure (less aggressive) move wheels toward the front of machine.



How the Machine Works

This machine is a propane burnisher that has a pad driver that is belt driven directly from the engine crank shaft.

Pre-Operation Checklist

- Check the engine oil level. Add oil if needed. Refer to *Maintenance*.
- Inspect the engine dust filter and clean off any debris or dust buildup. Refer to *Maintenance*.
- Inspect the burnishing pad and replace, if necessary. Refer to *Maintenance*.
- Inspect the pad holder for cracks or damage! Replace if necessary. Refer to *Maintenance*.

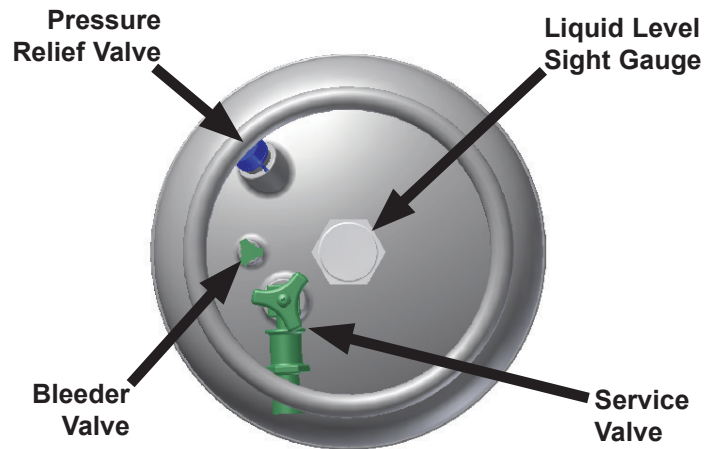
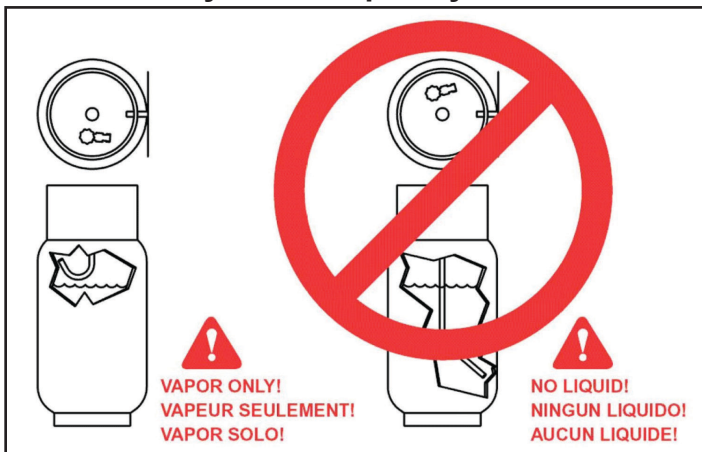
WARNING! A DAMAGED PAD HOLDER ROTATING AT HIGH SPEEDS MAY BE AN EXTREME HAZARD IF IT SHOULD DISINTEGRATE.

- Inspect air filter. Clean or replace if necessary. A dirty air filter could lead to elevated levels of carbon monoxide. Refer to *Maintenance*.
- Inspect the drive belt. Replace if necessary. Refer to *Maintenance*.
- Check the machine for leaks or loose fasteners.

LP Fuel Cylinder

This machine uses the 20 lb (9.1 kg) capacity cylinder, which meets the D.O.T. 4E240 standards. These cylinders are also listed by UL. In addition, the steel cylinder meets European TPED specifications and is CE compliant. Filling should be done ONLY by a qualified propane dealer. A properly filled cylinder should not exceed 80% of the rated capacity. Do not overfill the cylinder or use a liquid withdraw cylinder on the machine. The use of a liquid withdraw cylinder on a vapor withdraw system could freeze the regulator and create a fire hazard.

Only Use a Vapor Cylinder!



Installing the LP Cylinder

1. Before bringing a propane cylinder indoors, always check it for over-filling.
2. Place the tank on the machine and secure with the



retaining strap. Remove slack by pulling on the loose end of the strap and secure back to strap.

3. Connect the fuel hose coupling to the service valve by turning clockwise. "HAND TIGHTEN ONLY." Make sure coupling is not cross threaded and check for leakage by noting any propane odors immediately after cylinder is connected. (It is sometimes easier to install if the connection to the service valve is made before strapping the cylinder in place.)

CAUTION! Always open service valve slowly to allow pressure to equalize in hoses. Opening quickly may cause the flow check valve to engage, limiting fuel flow.

TO REMOVE THE CYLINDER, reverse procedure. Always connect or change cylinders in a well ventilated area.

Starting the Machine

1. Check oil and fuel levels.
2. Check and clean engine dust filter.

CAUTION! Never run continuously for more than one hour without cleaning or changing engine dust filter.

3. Check carburetor air filter. Change if necessary. (See “Scheduled Maintenance”)
4. Turn propane service valve counterclockwise to open.

CAUTION! Always open service valve slowly to allow pressure to equalize in hoses. Opening quickly may cause the flow check valve to engage, limiting fuel flow.

5. Allow machine to tilt backward (pad off floor) and move throttle to SLOW (IDLE) position.
6. With the engine throttle lever in the idle position, engage the starter by turning the key switch to the starting position for approximately 5 seconds. If the engine does not start, release the key switch for 10 seconds, then try to start again in another 5 seconds.
7. After the engine has started, move the throttle forward approximately halfway and allow the engine to warm up for approximately 30 seconds.

WARNING! Catalytic mufflers require a few minutes to warm up before effectively removing harmful emissions. Make sure of proper ventilation during this warm-up period!

Idling and Stopping the Machine

DANGER! Allowing the engine to idle excessively will increase carbon monoxide emissions!

To stop the engine, close the service valve on the fuel cylinder by turning it clockwise (the engine will stop when the fuel in the lines is used up). Once the engine stops, turn the keyswitch off.

Burnishing

1. After engine has started, allow approximately 30 seconds for the engine to warm up.
2. Advance the throttle to operating speed.
 - 2A. Optional Clutch Switch Lever
The clutch switch lever when pulled will engage the electric clutch. On models that have an electric clutch, the pad will not turn until the switch is engaged. Only one lever requires engagement at one time, allowing the user to alternate hands during operation.



3. Lower the burnishing head to the floor while moving the machine forward slowly.
4. To stop burnishing, push down on handle to raise the burnishing head off the floor.

CAUTION! DO NOT run the burnisher without moving the machine. If the machine is allowed to run in one spot, damage to the floor may occur.

CAUTION! DO NOT add weight to the burnisher head.

CAUTION! DO NOT lift up on the handle to add pressure while burnishing.

NOTE: Failure to comply with any of the CAUTION! statements could cause the engine to overheat and/or damage the padholder or drive components.

NOTE: It is recommended to start burnishing on the right side of the aisle, turn and come back down the aisle in the opposite direction, overlapping the previous path slightly. Continue this pattern until the floor area to be burnished has been covered with the last pass being on the right side of the machine. The forward speed is generally at normal walking speed.

5. When done burnishing, push the machine to the desired location. Turn off the LP cylinder service valve. When the fuel is depleted and the engine stops, turn the key switch OFF.
6. Remove the LP cylinder and store properly. Refer to *Refueling and Storage of Fuel Cylinders*.

Machine Troubleshooting

Problem	Possible Cause	Solution
Engine is hard to start	Propane cylinder is not properly connected.	Check connection and open service valve slowly.
	Battery is weak.	Charge battery or replace.
	Oil level is too low.	Check the oil level and add if needed.
	Insufficient vacuum.	Place the engine throttle in the idle "slow" position.
		Check the regulator vacuum hose for breaks, pinched hose, or a bad connection.
	Coil air gap out of adjustment.	Adjust coil air gap (Check FS481V Service Manual). Contact an APEC Certified Technician.
	Spark plug or head bolts loose.	Retorque (Check FS481V Service Manual). Contact an APEC Certified Technician.
Head gasket blown or valves need adjusting	Replace head gasket, adjust valves and replace if necessary (Check FS481V Service Manual). Contact an APEC Certified Technician.	
Engine will not start	Propane cylinder is empty.	Install properly filled cylinder.
	Oil level is too low.	Check the oil level and add if needed.
	Machine is in the pad change position.	Lower the machine to operating position.
	Main fuse is blown.	Inspect fuse and if blown replace
	Insufficient vacuum.	Place the engine throttle in the idle "slow" position.
		Check the regulator vacuum hose for breaks, pinched hose, or a bad connection.
	Head gasket blown or valves need adjusting.	Replace head gasket, adjust valves and replace if necessary (Check FS481V Service Manual). Contact an APEC Certified Technician.
	Wires broken or disconnected.	Reconnect or replace wires. Contact an APEC Certified Technician.
	Coil(s) defective.	Replace coil(s) (Check FS481V Service Manual). Contact an APEC Certified Technician.
	Spark plug gap is incorrect.	Adjust gap to 0.025" (.64mm)
	Spark plug defective.	Replace spark plug.
EcoSense shut the machine down	If the light is on, turn the key switch off and wait 30 seconds. Try again.	
	Bad module. Contact an APEC Certified Technician.	
Engine lacks power	Dirty air filter(s).	Clean or replace the engine dust filter.
		Clean or replace the primary filter (paper element).
		Clean or replace the secondary filter (foam element).
	Governor out of adjustment or malfunctioning.	Adjust governor and replace if necessary (Check FS481V Service Manual). Contact an APEC Certified Technician.
	Head gasket leaking.	Replace head gasket (Check FS481V Service Manual). Contact an APEC Certified Technician.
	No compression.	Worn piston ring(s) and/or cylinder head(s) require replacement (Check FS481V Service Manual). Contact an APEC Certified Technician.
	Fuel mixture is too lean.	Check and adjust fuel mixture if necessary. Contact an APEC Certified Technician.
Valves need adjusting or replacing.	Adjust valves (Check FS481V Service Manual). Contact an APEC Certified Technician.	
Smell or burned rubber	Belt out of adjustment.	Check the automatic tensioner
Machine vibrates	Loose fasteners.	Check the engine, tensioner, spindle, and pad holder fasteners. Tighten any fasteners that may be loose.
	Pad is not centered on the pad holder.	Remove pad and re-center on padholder. Replace the pad with a new pad if necessary.
	Padholder is out of balance.	Remove pad holder from the machine and clean both sides. Check for cracks or tears. Replace if necessary.
Machine is burnishing too aggressively	Wheels are adjusted too far back.	Move both wheels forward in the wheel bracket.
	Improper pads.	Only use recommended burnishing pads.
Machine pulls to one side	Bent wheel bracket.	Replace wheel bracket.
	Wheel is worn or a bad bearing.	Replace wheel.
	Wheels are adjusted too far back.	Move both wheels forward in the wheel bracket.
Engine stops running	Propane cylinder is empty.	Install properly filled cylinder.
	Operator presence switch not engaged.	Engage one of the switch levers while running the machine. Machine will only run for 30 seconds without one of the switch levers engaged.
	Engine oil level is too low.	Check the oil level and add if needed.
	Dirty air filter(s).	Clean both filters or replace if necessary.
	EcoSense shut the machine down	Clean all filters or replace if necessary.
		Check for any loose wiring or fuel line connections.
	Safe-Stop shut the machine down.	Install properly filled cylinder.
Replace liquid cylinder with vapor cylinder.		
Dust collection not working properly	Dust collection bag is not collecting dust.	Empty the dust bag.
		Check the dust scoop and/or the dust tube to see if there is an obstruction.
	Skirt is not sealing to the floor.	Skirt is bent or damaged. Replace if necessary.
		Adjust the skirt to fit tightly against the seal, but still be able to move freely. Check wear edge on bottom of the skirt and replace if necessary.

Maintenance

Scheduled Maintenance

Operation	Interval			
	Daily	First 100 Hrs.	Every 250 Hrs	Every 500 Hrs.
Check & add engine oil	●			
Check for loose or lost fasteners	●			
Check for oil leakage	●			
Inspect fuel hose and connections	●			
Clean Engine dust filter	●			
Inspect pad holder	●			
Change engine oil filter		●	●	
Change Sentinel Propane Engine Oil		●	●	
Check & clean air cleaner paper element	●			
Check & clean air cleaner foam element	●			
Inspect battery and battery connections			●	
Replace air cleaner paper element			●	
Replace air cleaner foam element			●	
Inspect, clean, & re-gap spark plugs, Replace if necessary			●	
Check & adjust valve clearance.* Retorque heads.*			●	
Clean & lap valve seating surface.*			●	
Check engine emissions				●
Clean cooling fins			●	
Inspect drive belt			●	
Inspect burnishing head assembly	●			
Replace drive belt	As Required			
* Check FS481V Service Manual. Contact Amano Pioneer Eclipse Certified Technician.				

Oil Level Inspection

1. Push machine to level surface.
2. Turn off LP cylinder and remove it.
3. Clean area around the oil gauge before removing it.
4. Remove the oil gauge and wipe it with a paper towel.
5. The machine should be in an upright level position.



If necessary, place a block under the back of the machine or apply weight to the front of the deck to maintain an upright, level position.

6. Insert the oil gauge into the tube, but do not tighten the oil gauge.
7. Check the oil level. It should be between the "FULL" and "ADD" marks on the oil gauge.

Note: If the oil level is near or below the "ADD" mark, remove the oil gauge and add enough engine oil to bring oil level to the "FULL" mark. (Use only Sentinel Synthetic)

Note: If the oil level is too high, remove the excess oil by loosening the oil drain valve.

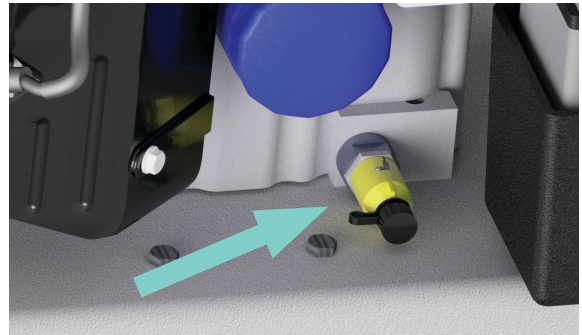
CAUTION! Do not fill above the "FULL" mark. Excess oil will cause a smoking condition and may cause the engine to overheat.

Oil Change

1. Use only Sentinel Synthetic Propane Engine Oil. Sentinel is specially formulated for small, hot-temperature engines and provides a longer 250 hour service interval. If conventional SH or SJ SAE 30 oil is used instead of Sentinel, scheduled maintenance MUST revert to every 100 hours to maintain engine warranty.
2. Change the oil after the first 100 hours of operation and every 250 hours or 90 days, whichever occurs first.
3. Start and warm the engine so the oil will drain easily and completely. Push machine to a level surface. Stop the engine.
4. Turn off LP cylinder and remove it.
5. Remove cap on the end of oil drain hose.
6. Place a suitable container under the end of the oil drain valve.

WARNING! Be careful with hot oil being drained. It may be hot enough to cause severe burns.

7. Attach 1/2" ID drain hose to valve and route into container.
8. Slowly turn the valve counter-clockwise, until the oil starts to drain.

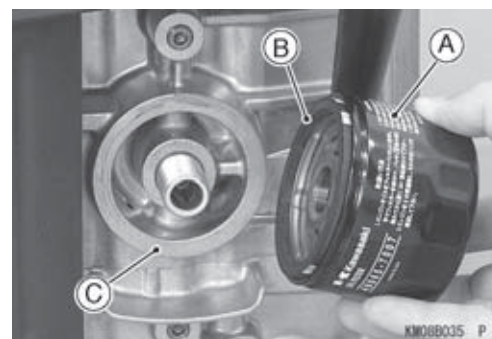


Note: In order for the oil to drain, it may be necessary to loosen the oil fill cap.

9. When the oil has finished draining, close the drain valve and place cap back on the end of the valve.
10. Remove oil cap and add clean Sentinel oil. Use 1.6 U.S. qt. (1.5 L) when the filter is not changed and 1.8 U.S. qt. (1.7 L) when filter is changed.
11. Screw in oil gauge. Reconnect the LP cylinder to the fuel hose.
12. Run the engine at low idle for 2 minutes. Check for leaks around the engine.
13. Stop the engine. Check the oil level (see *Oil Level Inspection* section).

Oil Filter Replacement

1. Place a suitable container underneath the oil filter.
2. Using a strap wrench or oil filter wrench, remove the oil filter. Turn the filter counter-clockwise to remove it.
3. Apply a thin coat of new oil or grease to the oil filter seal (A).
4. Install the new filter (**Part # KA490657007**) by turning it clockwise.
5. Turn the filter until the seal contacts the mounting surface (B) of the engine. Then, turn the filter "BY HAND" 3/4 turn more.



6. Reconnect the LP cylinder to the fuel hose.
7. Run the engine at low idle for 2 minutes. Check for leaks around the engine.
8. Stop the engine. Check the oil level (see *Oil Level Inspection* section).

Air Filter Inspection and Replacement

1. Push machine to level surface.
2. Turn off LP cylinder and remove it.



3. Turn the two knobs 1/4 turn counter-clockwise and remove the filter cover.
4. Loosen clamp that retains filter and remove the air filter.

CAUTION! Do not wash the air cleaner filters. Do not oil the air filters. Do not use pressurized air to clean the air filters.

5. Inspect both primary and secondary air filters. If necessary, clean primary filter by lightly tapping and wipe seal ends with a clean cloth. If primary filter cannot be cleaned, is bent, or damaged, it must be replaced. **(Part # KA110130752)** If secondary filter is dirty, do not attempt to clean it. Replace it with a new filter **(Part # KA110137046)**.
6. Check the intake hose for cracks or damage.
7. Install filters and replace cover.

Spark Plug Inspection and Replacement

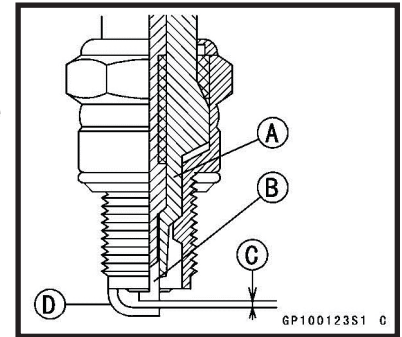
1. Turn off LP cylinder and remove it.
2. Pull spark plug cap off of spark plug.
3. Remove spark plug by turning counter-clockwise and inspect it.

Note: If the plug is oily or has carbon build up on it, clean the plug using a high flash-point solvent and a wire brush or other suitable tool.

Note: If the spark plug electrodes are corroded or damaged, or if the insulator is cracked, replace the plug. **Use Only Part # KA920702112. DO NOT use any other spark plug!**

4. Measure the gap with a wire-type thickness gauge. The correct gap is .025 in (.635 mm). If the gap is incorrect, carefully bend the side electrode with a suitable tool to obtain the correct gap.

- A: Insulator
- B: Center Electrode
- C: Plug Gap
- D: Side Electrode



Engine Dust Filter

1. The engine dust filter should be cleaned each hour and after each use by shaking out the dust and then rinsing with mild detergent. The filter can also be vacuumed with a wet-dry vacuum.
2. Squeeze out the excess water (*Do Not Wring*).
3. Allow the filter to air dry.

NOTE: Failure to maintain a clean engine filter will cause the engine to overheat. Also, it may cause the exhaust emissions to elevate to harmful levels. If necessary, replace with (Part #: MP035200).



Valve Clearance & Re-torque Heads:

Refer to Kawasaki's FS481V service manual.

Valve Seating:

Refer to Kawasaki's FS481V service manual.

Head Bolt Maintenance

Refer to Kawasaki's FS481V service manual.

Cooling Fin Maintenance

- A. Remove blower housing and any other shrouds.
- B. Clean the cooling fins as necessary using compressed air or pressure washer.
- C. Reinstall all housings and shrouds.

Inspect Pads and Pad Holders

1. Push machine to level surface.
2. Turn off LP cylinder and remove it.
3. Rock the machine back by lifting up the front of the machine until it rests on the handle grips. (See "Rok-Bak & Pad Change" section.)
4. Remove centering device and inspect the pad. If the pad has worn less than 1/4" (6 mm), replace it.
5. Inspect the pad holder for cracks or damage. If the pad holder does not have any damage proceed to step 9.

WARNING! A damaged pad holder rotating at a high rate of speed may be an extreme hazard if it should come apart.

6. If the pad holder needs to be removed, a 3/4" wrench will be required. Locate the wrench flats on top of the spindle shaft. With the spindle shaft secure, turn the pad holder counter clockwise until it is free of the spindle shaft.
7. Save the washer and/or spacer that is on the spindle shaft. Be sure they are in place when the pad holder is re-installed.
8. When threading the pad holder onto the spindle shaft, use the wrench to keep the shaft from turning. Be sure the pad holder is tight before proceeding.
9. Secure the pad with the centering device.
10. Lower the machine.

Belt Maintenance

1. Push machine to level surface.
2. Turn off LP cylinder and remove it.
3. Place the machine in the Rok-Bak position (See "Rok-Bak & Pad Change" section) by lifting up on the front of the machine until it rests on the handle grips.
4. Rotate the pad drive and inspect the belt.
5. If cracks or excessive wear is present, the belt needs to be replaced.
6. To check for the proper tightness, squeeze the belt together. The belt should depress between 1/4" (0.6 cm) and 1/2" (1.3 cm).

To Change Belt

(21") Part #: MP8070

(28") Part #: MP272900

- A. Remove the pad holder by holding the end of the shaft on the top of the machine with a 3/4" wrench and turn the pad holder counter-clockwise.
- B. Use the 3/4" wrench to turn the end of the spindle shaft on top of the machine while removing the old belt from the spindle pulley.
- C. Finish removing the belt from the engine pulley, if necessary.
- D. Check engine pulley for correct alignment with the spindle pulley. Check hardware attaching pulleys for proper tightness.
- E. Install the new belt onto the engine pulley.
- F. Reinstall the new belt onto the spindle pulley using the 3/4" wrench to turn the spindle clockwise. Make sure the belt is correctly placed on the idler pulley.
- G. Reinstall the pad holder onto the spindle shaft.
- H. Lower the machine to the burnishing position.
- I. Check belt for correct operation. Check all hardware for proper tightness.

Battery Maintenance

The battery supplied with this machine is a sealed, absorbed glass mat (AGM), maintenance free type. It never needs servicing. When battery replacement is necessary (**Part #: MP362200**).

1. Push machine to level surface.
2. Turn off LP cylinder and remove it.



3. Disconnect the BLACK negative battery cable first. Disconnect the RED positive battery cable last.
4. Loosen battery-retaining strap.
5. Lift out old battery and replace with new battery.
6. Secure battery with battery-retaining strap.
7. Connect the RED positive battery cable first. Connect the BLACK negative battery cable last.

NOTE: Dispose of old battery in the proper manner. Most auto parts stores accept used batteries for recycling.

PROPOSITION 65 WARNING

- Battery posts, terminals, and related accessories contain lead and lead compounds, chemicals known to the State of California to cause cancer and reproductive harm.
- Batteries also contain other chemicals known to the State of California to cause cancer.
- Wash hands after handling.

Machine Storage

Only authorized, trained personnel should have access to propane cylinders and machines.

1. Remove propane fuel cylinder when not in use and store it outside in a storage cage in accordance with NFPA Handbook 58 CAN/CGAB149.2. Do not release or bleed propane inside the building. Please consult your local Fire Marshal to ensure that you are in compliance with local fire codes.
2. Store machine away from objects that may fall and damage it.
3. Never store machine or fuel cylinders near an open flame or heat-producing device.
4. Make sure machine is cleaned properly before storing.
5. Never store machine with cylinders installed, or store spare cylinders in an enclosed van or trailer.
6. Store machine in a dry location, temperature not to exceed 120°F (50°C).

Repacking the Machine

Refer to *Unpacking* and repack the machine using original packing materials and container. Store machine in a dry location, temperature not to exceed 120°F (50°C).

Transporting the Machine

When transporting a propane powered floor machine with the fuel cylinder installed, the cylinder should be securely fastened with the service valve closed and the machine should be secured in the vehicle. Any propane fuel cylinders not installed should be securely fastened to avoid movement and damage. Never store machine with cylinder installed or store spare cylinders in an enclosed van or trailer. It is a good practice to check propane cylinders for overfilling before transporting them. If overfilled, correct before loading them in the vehicle by venting the excess propane outside in a safe area using the bleeder valve.

Machine Specifications

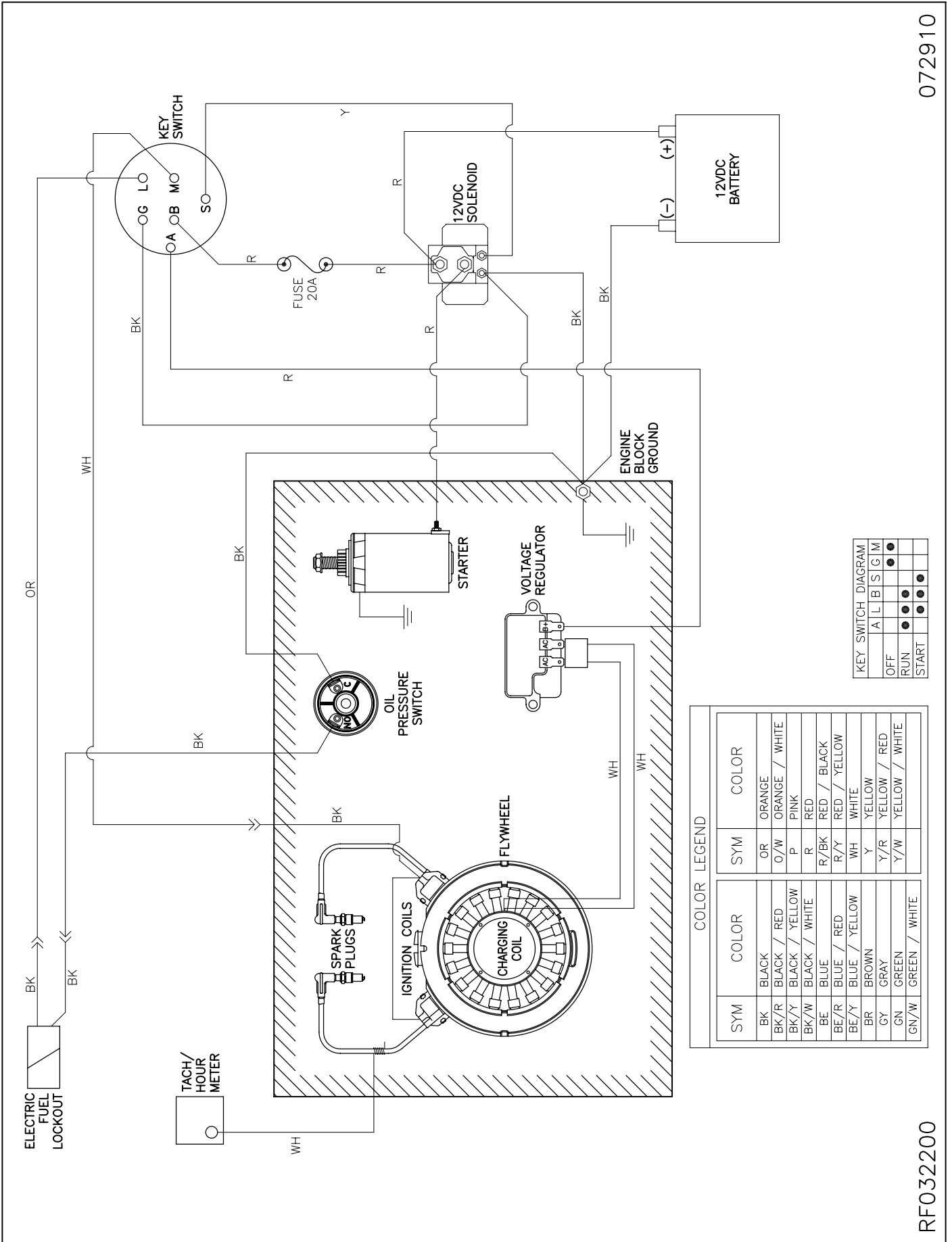
<u>Starting:</u>	12VDC Battery
<u>Deck:</u>	Cast Aluminum
<u>Sound Level:</u>	< 89 dB(A)
<u>Vibration:</u>	Less than 2.5 m/s ²
<u>Engine:</u>	Kawasaki FS481V, 603cc Air Cooled
<u>Engine Speed:</u>	Idle - 1800-2000 rpm High Idle - 3400-3500 rpm
<u>Engine Oil:</u>	SAE 30 w/ API Service SH or SJ
<u>Engine Oil Capacity:</u>	Filter not removed - 1.6qt (1.5L) Filter removed - 1.8qt (1.7L)
<u>Engine Primary Air Filter (Paper Element):</u>	KA110130752
<u>Engine Air Pre-Cleaner (Foam Element):</u>	KA110137046
<u>Spark Plug:</u>	KA920702112
<u>Spark Plug Gap:</u>	0.025 in. (0.635 mm)
<u>LP Cylinder Type:</u>	20lb (9.1 kg) Vapor Withdraw

21" Machines

Pad Size:	21" (53.3 cm)
Pad Speed:	2000 RPM
Width:	23.5" (59.7 cm)
Length:	56" (142.4 cm)
Height:	39.5" (100 cm)
Weight:	187 lb (w/o cylinder) (85 kg)

28" Machines

Pad Size:	28" (68.6 cm)
Pad Speed:	1500 RPM
Width:	30.5" (77.5 cm)
Length:	61.5" (156.2 cm)
Height:	41.0" (104 cm)
Weight:	200 lb (w/o cylinder) (91 kg)



KEY SWITCH DIAGRAM

	A	L	B	S	G	M
OFF						
RUN						
START						

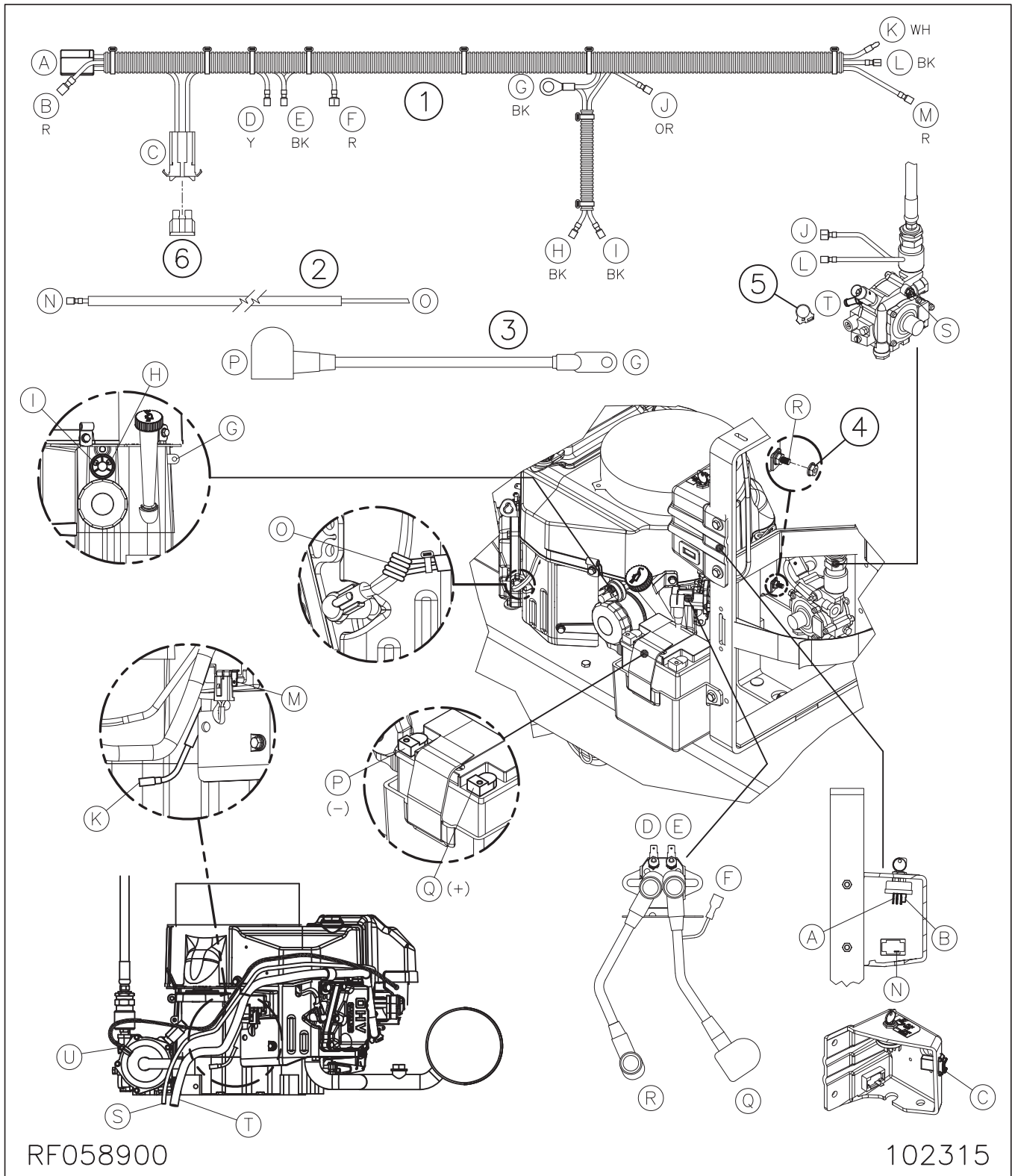
COLOR LEGEND

SYM	COLOR	SYM	COLOR
BK	BLACK	OR	ORANGE
BK/R	BLACK / RED	O/W	ORANGE / WHITE
BK/Y	BLACK / YELLOW	P	PINK
BK/W	BLACK / WHITE	R	RED
BE	BLUE	R/BK	RED / BLACK
BE/R	BLUE / RED	R/Y	RED / YELLOW
BE/Y	BLUE / YELLOW	WH	WHITE
BR	BROWN	Y	YELLOW
GY	GRAY	Y/R	YELLOW / RED
GN	GREEN	Y/W	YELLOW / WHITE
GN/W	GREEN / WHITE		

072910

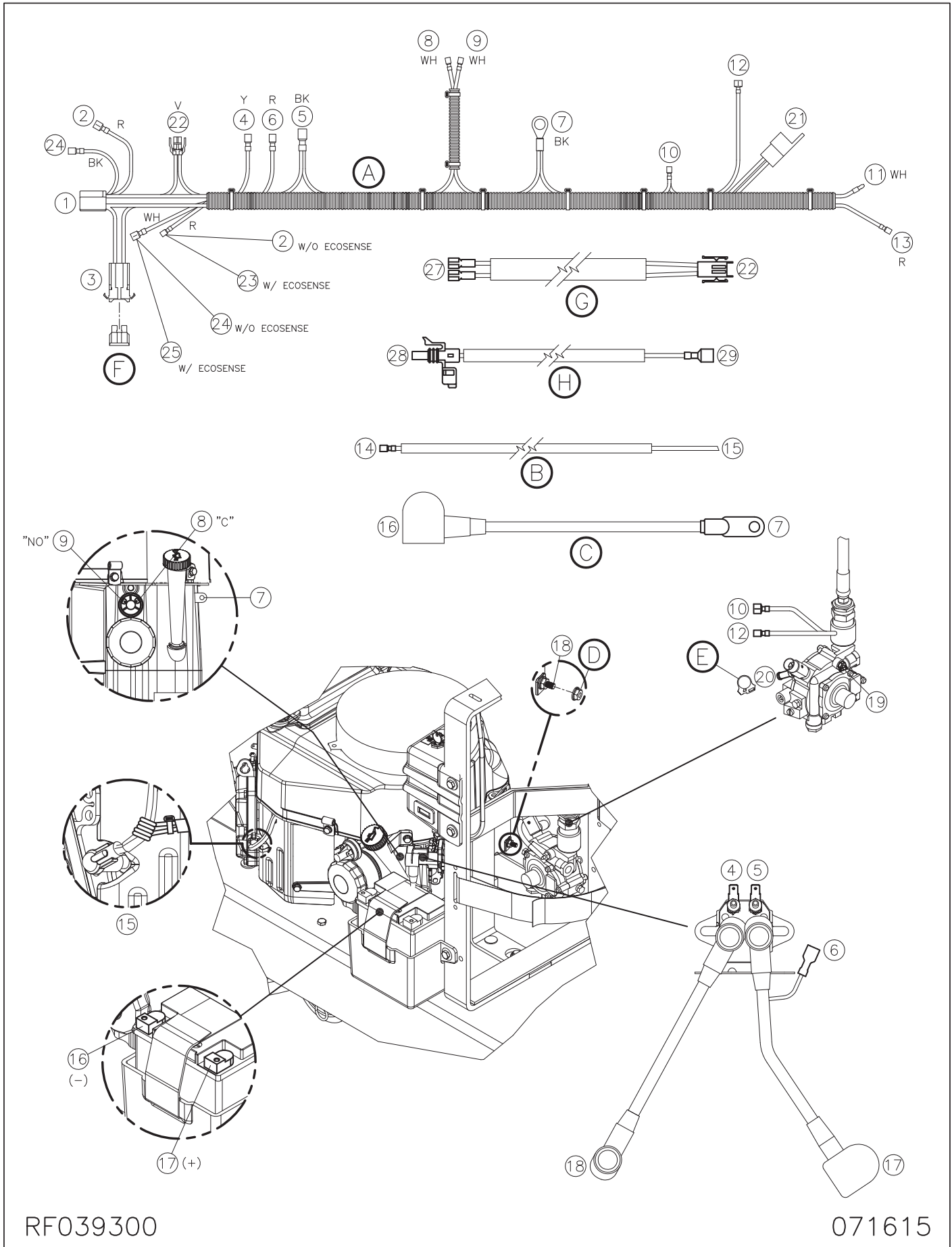
RF032200

Connections



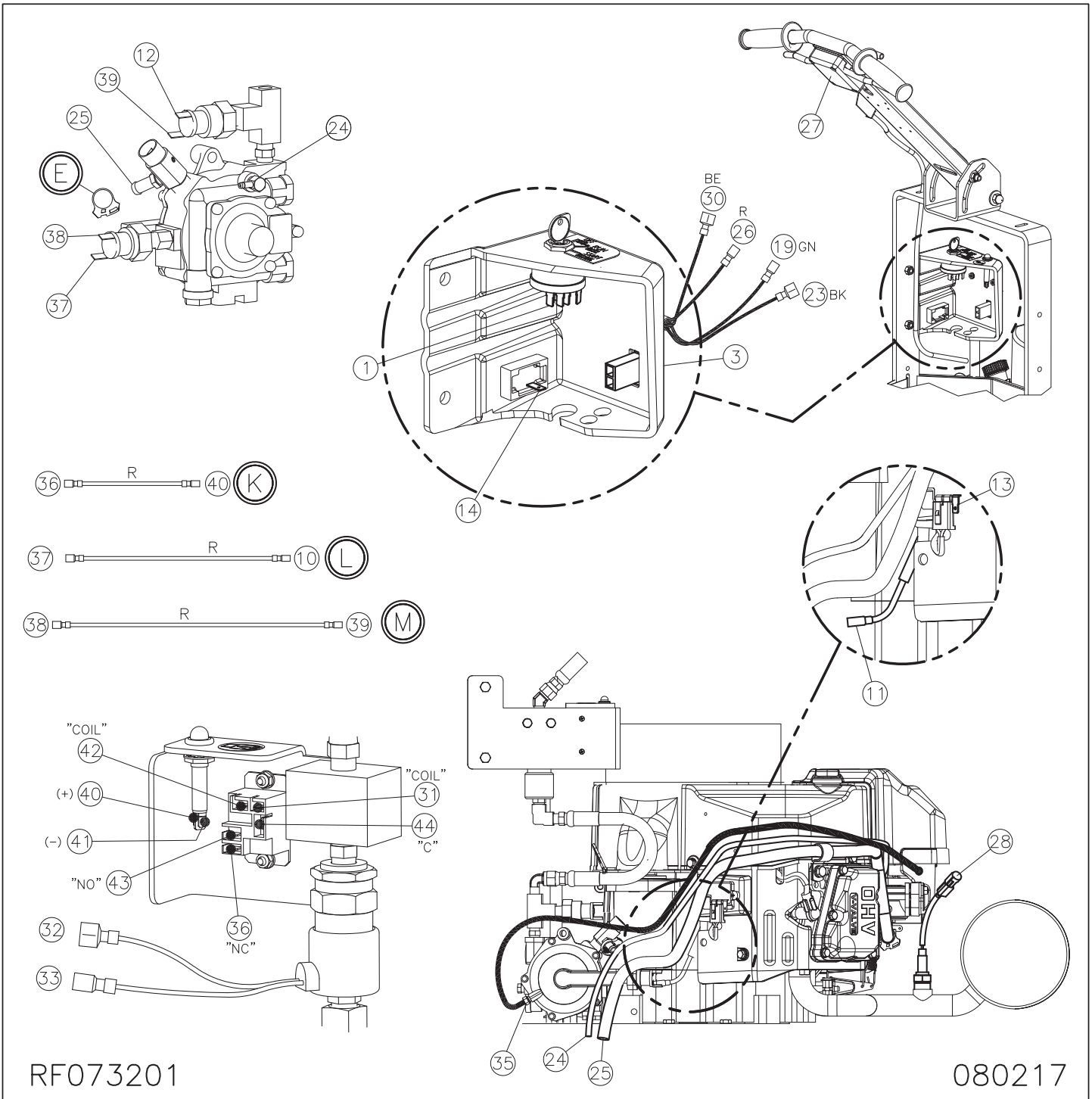
Item	Ref. No.	Description	Qty	Item	Ref. No.	Description	Qty
1	MP368300	HARNESS, WIRING	1	4	NB9545	NUT, 1/4"	1
2	MP368400	WIRE, METER, HOUR	1	5	NB7282	CLAMP, HOSE	1
3	MP368500	CABLE, BATTERY, NEG., 10"	1	6	SS2570	FUSE, 20A	1

Connections (w/ Optional Clutch & EcoSense)



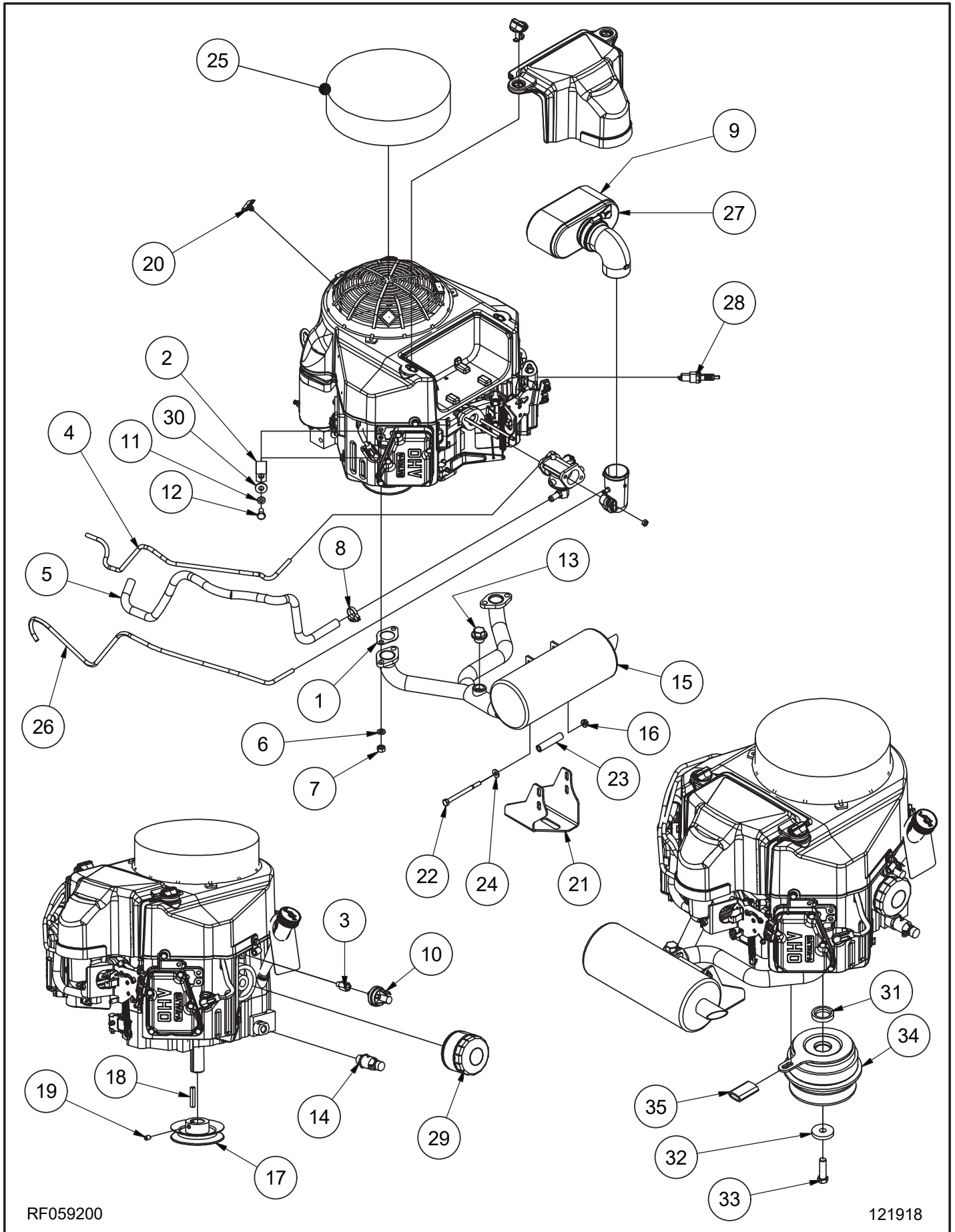
RF039300

071615



Item	Ref. No.	Description	Qty	Item	Ref. No.	Description	Qty
A	MP402400	HARNESS, WIRING, MAIN,	1	H	MP373000	WIR E, SENSOR OXYGEN	1
B	MP368400	HARNESS, WIRING, METER	1	J	MP510200	HARNESS, WIRI NG, SAFE-STOP	1
C	MP368500	CABLE, BATTERY, NEG., 10"	1	K	MP510500	WIR E, JUMPER , RED	1
D	NB9545	NUT, SPIN LOCK, 1/ 4- 20	1	L	MP510300	WIRE, JUMPER , RED	1
E	NB7282	CLAMP , HOSE, NO.38	1	M	MP510400	WIRE, JUMPER , RED	1
F	SS2570	FUSE, 20 AMP , ATO	1	N	NB5516	TERMINA L ADAPTER	1
G	MP122100	HARNESS, WIRING, CLUTCH	1				

Engine Assembly

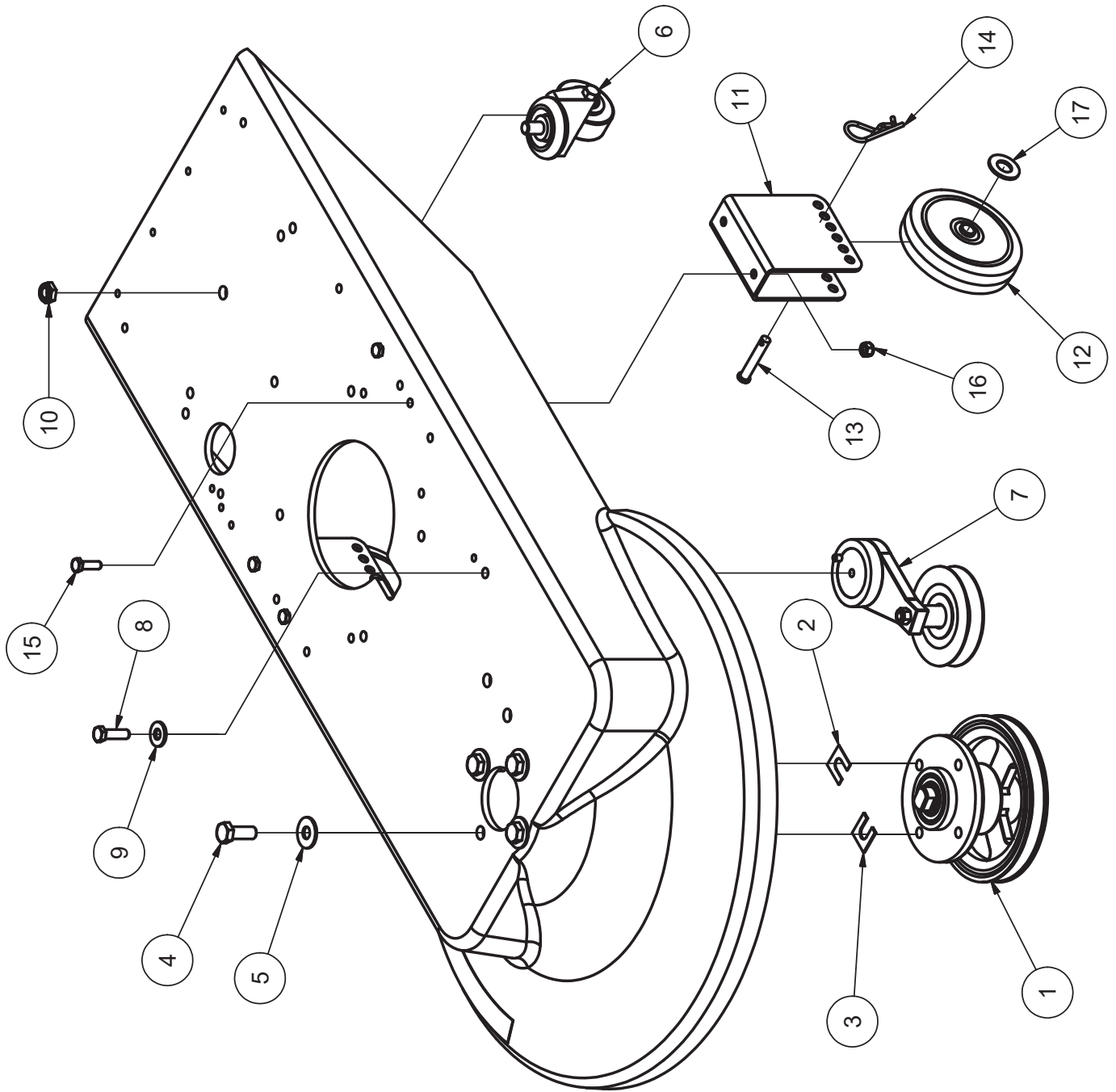


RF059200

121918

Engine Assembly (continued)

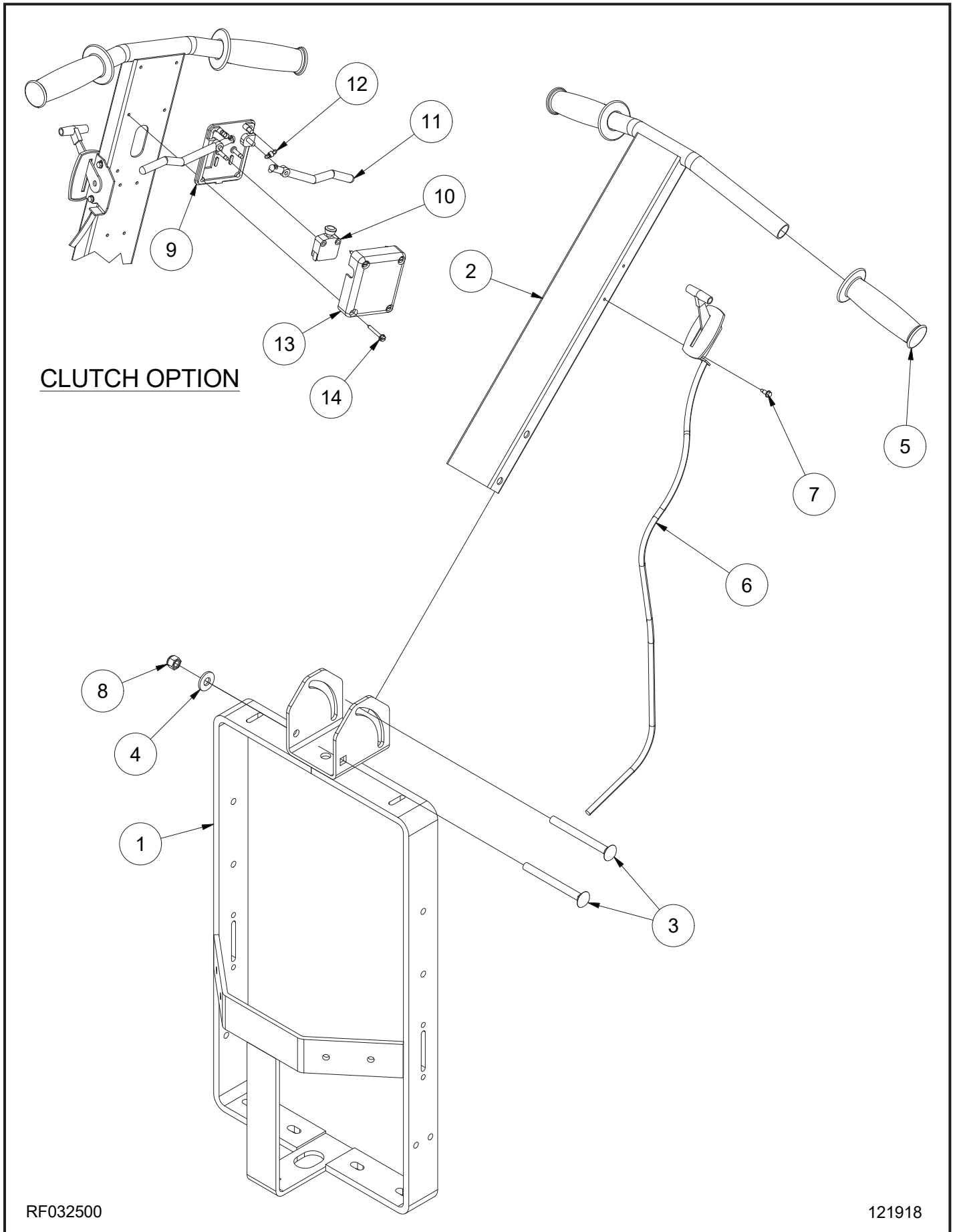
<u>Item</u>	<u>Ref. No.</u>	<u>Description</u>	<u>Qty</u>	<u>Item</u>	<u>Ref. No.</u>	<u>Description</u>	<u>Qty</u>
1	KA110607016	GASKET, MUFFLER	2	16	NB9545	NUT, FLANGE, 1/4"	2
2	NB8130	CLAMP, 3/4"	1	17	MP367700	PULLEY, 4.00"	1
3	MP044800	ADAPTER, 1/8" NPT	1	18	MP7802	KEY, 1/4" X 1-1/2"	1
4	NB2460	HOSE, VACUUM, 5/32"	27"	19	NB2463	SCREW, SET, 5/16" X 3/8"	2
5	NB2470	HOSE, FUEL, 3/8"	26'	20	MP8310	STUD, VELCRO	4
6	KA461DA0800	WASHER, LOCK, M8	4	21	MP455601	BRACE, MUFFLER	1
7	KA922107027	NUT, HEX, M8	4	22	NB068500	BOLT, HEX, 1/4" X 3-1/2"	2
8	NB7282	CLAMP, HOSE	1	23	MP455900	SPACER, 1/4" ID	2
9	KA110137046	PRECLEANER, AIR	1	24	NB3350	WASHER, FLAT, 1/4"	2
10	MP019200	SWITCH, PRESSURE, OIL	1	25	MP035200	FILTER, RECOIL	1
11	NB6111	WASHER, LOCK, 5/16"	1	26	NB2460	HOSE, VACUUM, 5/32"	33"
12	NB065000	BOLT, HEX, M8 X 16	1	27	KA110130752	ELEMENT, FILTER, AIR	1
13A	MP015200	PLUG, SENSOR	1	28	KA920702112	PLUG, SPARK, NGK, BPR4ES	2
13B	MP466500	SENSOR, OXYGEN	1	29	KA490657007	FILTER, OIL	1
14	MP367200	VALVE, DRAIN, OIL	1	30	NB9267	WASHER, FLAT, 5/16"	1
15	MP368700	MUFFLER, W/O SHEILD	1				
						With Optional Clutch	
				31	MP371700	SPACER, 1.5 O.D. X 1.02 I.D. X .285 THK	1
				32	MP4805	SPACER, CLUTCH, BOTTOM, HUB BASE	1
				33	NB005800	SCREW, HEX, 7/16-20 X 1 1/2	1
				34	MP4787	CLUTCH, ASM., MODEL 5215-63	1
				35	MP4790	TUBING, NORPRENE, CLUTCH ARM	1



Deck Assembly (continued)

<u>Item</u>	<u>Ref. No.</u>	<u>Description</u>	<u>Qty</u>
1A	MP107700	SPINDLE, 6.75", ASM. (21")	1
1B	MP447700	SPINDLE, 9.25", ASM. (28")	1
2	MP197100	SHIM, 1/32"	1
3	MP197000	SHIM, 1/16"	1
4	NB6864	BOLT, HEX, 1/2" X 1-1/4"	4
5	NB9269	WASHER, FLAT, 7/16"	4
6	MP012801	CASTER, 2-1/2"	1
7	MP071800	TENSIONER, BELT	1
8	NB6044	BOLT, HEX, 3/8" X 1-1/4"	1
9	NB3450	WASHER, FLAT, 3/8"	1
10	NB003100	NUT, LOCK, 1/2"	1
11	MP366001	BRACKET, WHEEL	2
12	MP105300	WHEEL, 5"	2
13	MP038100	PIN, CLEVIS, 3/8" X 2-1/8"	2
14	LX2105	CLIP, HITCH PIN	2
15	NB6545	BOLT, HEX, 5/16" X 1"	4
16	NB3265	NUT, LOCK, 5/16"	4
17	NB028200	WASHER, FLAT, 5/8"	4

Handle Assembly



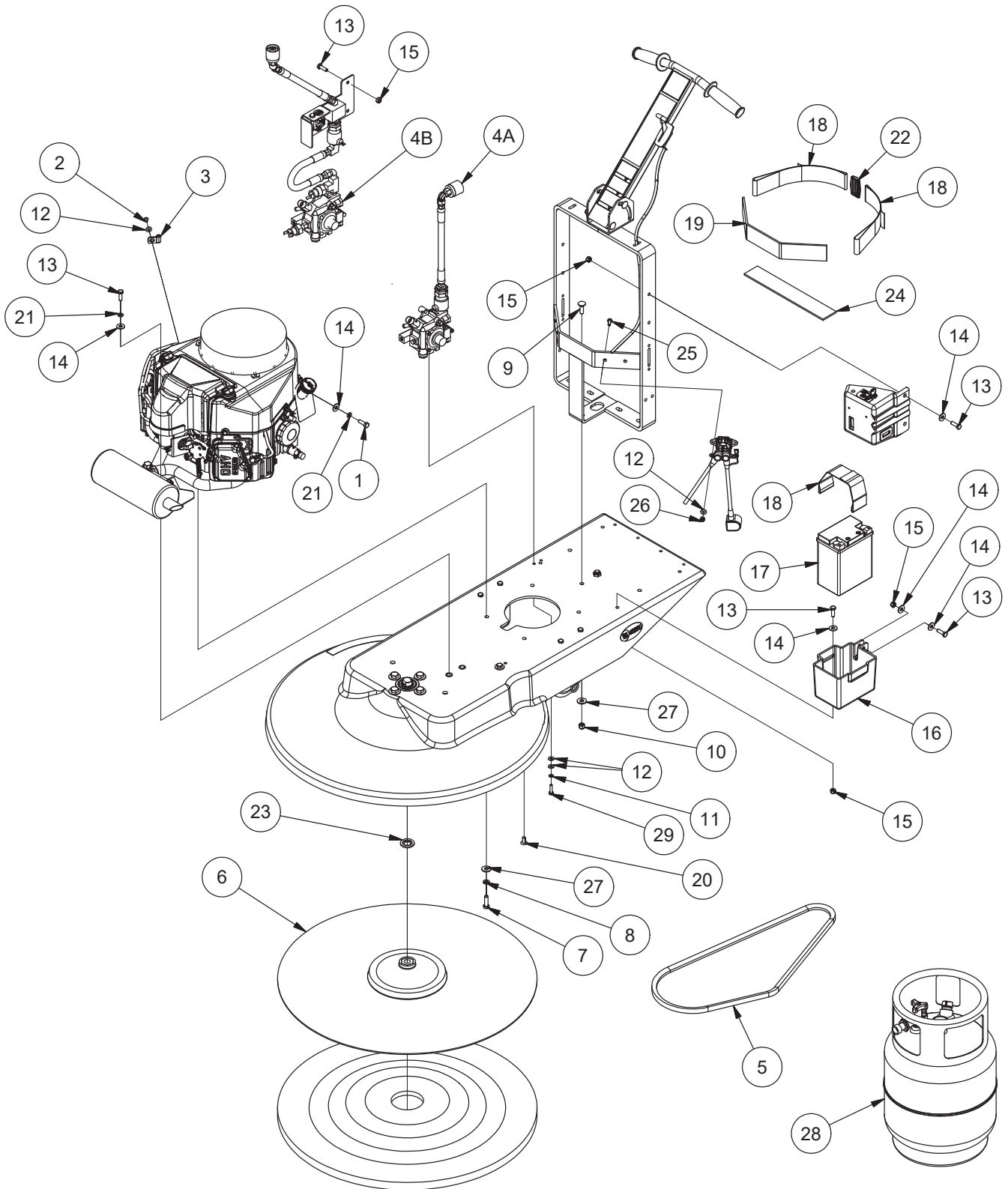
RF032500

121918

Handle Assembly (continued)

<u>Item</u>	<u>Ref. No.</u>	<u>Description</u>	<u>Qty</u>
1	MP366500	HANDLE, BASE	1
2	MP366800	HANDLE, TOP	1
3	NB9460	BOLT, CARRIAGE, 3/8" X 4"	2
4	NB3450	WASHER, FLAT, 3/8"	2
5	MP366900	GRIP, HANDLE	2
6	MP368000	CABLE, THROTTLE	1
7	NB4382	SCREW, #8 X 1/2"	2
8	NB3267	NUT, LOCK, 3/8"	2
With Optional Clutch			
9	MP1230	BASE, BOX, MICRO SWITCH	1
10	MP376000	SWITCH, MICRO, 16AMP, ASM	1
11	MP087100	LEVER, SWITCH BOX	2
12	MP9606	SPRING, SWITCH BOX	2
13	MP1210	SWITCH BOX, COVER	1
14	NB5366	SCREW, SHEET METAL, 8 X 1 1/4	4

Main Assembly



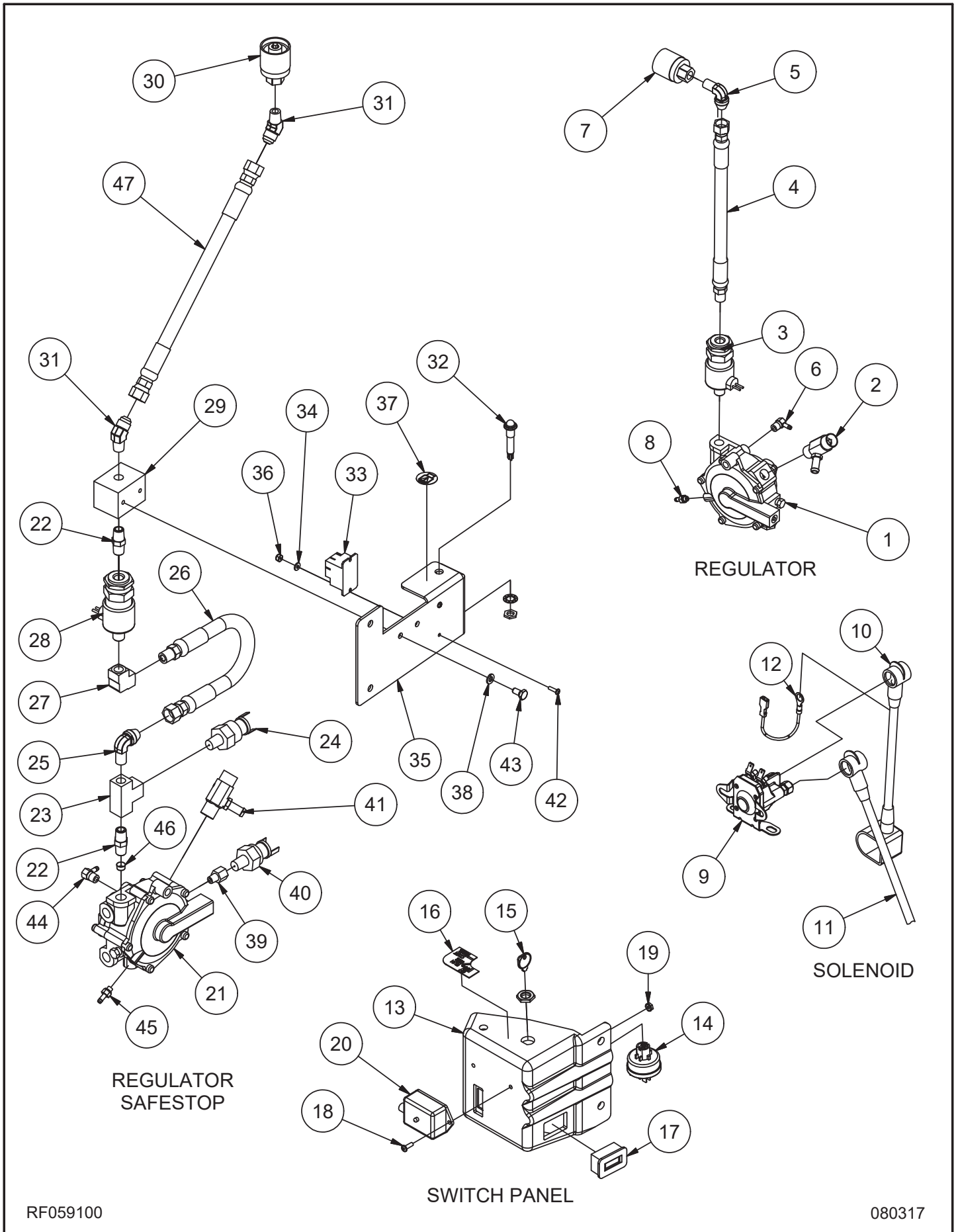
RF058800

080317

Main Assembly (continued)

<u>Item</u>	<u>Ref. No.</u>	<u>Description</u>	<u>Qty</u>
1	NB065100	BOLT, HEX, M8 x 25, GD 8.8, ZINC	1
2	NB064900	SCREW, #10 x 1/2", TRUSS HD, PHIL.	1
3	NB8125	CLAMP, 1/4" ID, RETAINER	1
4A	MP371800	REGULATOR, STND MDL, ASM.	1
4B	MP509500	REGULATOR ASM, SAFE-STOP	1
5A	MP272900	BELT, BX-57 (28")	1
5B	MP8070	BELT, BX-46 (21")	1
6A	MP351200	PADHOLDER, 28", ASM.	1
	MP012700	RETAINER, PAD (NOT PICTURED)	1
6B	MP269400	PADHOLDER, 21", ASM.	1
	MP012700	RETAINER, PAD (NOT PICTURED)	1
7	NB6044	SCREW, CAP, 3/8 X 1 1/4	3
8	MX1075	WASHER, LOCK, 3/8"	3
9	NB5520	BOLT, CARRIAGE, 3/8"-16 X 1 1/4"	3
10	NB3267	NUT, LOCK, 3/8", NC	3
11	NB6110	WASHER, LOCK, 1/4"	2
12	NB3350	WASHER, FLAT, 1/4"	7
13	NB6545	SCREW, CAP, HH, 5/16"-18 X 1"	6
14	NB9267	WASHER, FLAT, 5/16"	8
15	NB3265	NUT, LOCK, 5/16"-18, NC	4
16	MP367500	TRAY, BATTERY, 5-1/4 X 3-1/2	1
17	MP362200	BATTERY, 12V, 210CCA, AGM	1
18	MP368100	STRAP, 2" x 23", OPEN ENDS	3
19	MP6600	VELCRO, FELT, BLACK	15"
20	NB065800	PLUG, HOLE, 5/16", BLK	1
21	NB6111	WASHER, LOCK, 5/16"	3
22	MP367600	SLIDE, STRAP, 2", BLK	1
23	MP195300	SPACER, BEARING, RIGHT	1
24	MP6600_A	VELCRO, FELT, BLACK	12"
25	NB019100	BOLT, HEX, 1/4-20 X 3/4, GD 5	2
26	NB3275	NUT, LOCK, 1/4"	2
27	NB3450	WASHER, FLAT, 3/8"	6
28	MP105900	CYLINDER, STEEL, PAINTED, SAFETY FILL	1
29	NB6530	SCREW, CAP, HH, 1/4-20 X 1	2
51	MP6600_B	VELCRO, FELT, BLACK	1
52	MP499500	DECAL, PE400BU	2

Regulator, Switch Panel & Solenoid Assemblies



RF059100

SWITCH PANEL

080317

Regulator, Switch Panel & Solenoid Assemblies (continued)

<u>Item</u>	<u>Ref. No.</u>	<u>Description</u>	<u>Qty</u>	<u>Item</u>	<u>Ref. No.</u>	<u>Description</u>	<u>Qty</u>
1	SA026300	REGULATOR, REPLACEMENT	1	31	MP4331	FITTING, 54 X 6, REG TO FUELOCK	2
2	MP017900	FUEL, ADJUSTMENT, ASSEMBLY	1	32	MP492000	LIGHT, RED, LED, 12V, W/TERMINALS	1
3	MP317500	FUELOCK, 12 VOLT, ASM.	1	33	MP151500	RELAY, BOARD, CIRCUIT,	1
4	MP367300	HOSE, FUEL, LP, 13", ASM.	1	34	NB007100	WASHER, FLAT, #6	2
5	MP4330	FITTING, 49 X 6, REG TO FUELOCK	1	35	MP509401	BRACKET, SAFE-STOP	1
6	MP372400	FITTING, ELBOW, BRASS	1	36	NB020800	NUT, LOCK, NYLON, 6-32	2
7	MP4500	COUPLER, QUICK REGO, FEMALE	1	37	MP509700	DECAL, PROPANE TANK WARNING	1
8	MP371100	FITTING, BRASS, 1/4-28 x 3/16" HB	1	38	NB6110	WASHER, LOCK, 1/4"	2
9	MP531300	SOLENOID, STARTER, 12VDC	1	39	MP509900	FITTING, 1/8" MNPT X 1/4" FNPT	1
10	MP366700	CABLE, BATTERY, POS., 9"	1	40	MP509800	SWITCH, PRESSURE, 6 PSI	1
11	MP120900	CABLE, BATTERY, POSITIVE, 14"	1	41	MP017900	FUEL, ADJUSTMENT, ASSEMBLY	1
12	MP354900	WIRE, SOLENOID, BATTERY	1	42	NB9515	SCREW, PAN HD, 6-32 X 1/2	2
13	MP367400	PANEL, SWITCH, STARTER	1	43	NB015700	SCREW, CAP, HH, 1/4 -20 X 8	2
14	MP199000	KEYSWITCH, BURNISHER, RIDE-ON	1	44	MP372400	FITTING, ELBOW, 1/8" NPT x 3/16" HB	1
15	KC4834001	KEY, STARTER SWITCH	1	45	MP371100	FITTING, BRASS, 1/4-28 x 3/16" HB	1
16	SS900001	LABEL, STARTER SWITCH	1	46	MP341500	SCREEN, INLET, REGULATOR	1
17	MP280400	METER, HOUR/TACH	1	47	MP4340	HOSE, 12", REGULATOR	1
18	NB007400	BOLT, PHILLIPS PAN HD, #8-32 X 1/2	2				
19	NB9710	NUT, KEPS, 8-32, ZINC	2				
20	MP402300	MODULE, EMISSION, MONITORING	1				
21	SA026300	REGULATOR, LP	1				
22	MP4325	FITTING, 3325 X 4, REG - FUELOCK	2				
23	MP509300	FITTING, TEE, 1/4" FNPT	1				
24	MP509200	SWITCH, PRESSURE, 200 PSI	1				
25	MP4330	FITTING, 49 X 6, REG - FUELOCK	1				
26	MP367300	HOSE, FUEL, LP, 13", ASM.	1				
27	MP4332	FITTING, 1/4", BRASS ELBOW, FPT	1				
28	MP317500	FUELOCK, 12 VOLT, ASM.	1				
29	MP509600	MANIFOLD, SAFE STOP	1				
30	MP4500	COUPLER, QUICK REGO, FEMALE	1				

Small Off-Road Engine Certification Warranty Form

Emission Control Warranty Statement

Your Warranty Rights and Obligations

The California Air Resources Board and Amano Pioneer Eclipse Corporation is pleased to explain the emissions control system's warranty on your 2016 small off-road engine. In California, new equipment that use small off-road engines must be designed, built, and equipped to meet the State's stringent anti-smog standards. Amano Pioneer Eclipse Corporation must warrant the emissions control system on your small off-road engine for the period listed below provided there has been no abuse, neglect or improper maintenance of your equipment. Your emissions control system may include parts such as: carburetor's or fuel injection system, ignition system, catalytic converters, fuel tanks, valves, filters, clamps, connectors, and other associated components. Also, included may be hoses, belts, connectors, sensors, and other emission-related assemblies. Where a warrantable condition exists, Amano Pioneer Eclipse Corporation will repair your small off-road engine at no cost to you including diagnosis, parts and labor.

Manufacturer's Warranty Coverage

This emissions control system is warranted for two years. If any emissions-related part on your equipment is defective, the part will be repaired or replaced by Amano Pioneer Eclipse Corporation.

Owner's Warranty Responsibilities

- (a) As the small off-road engine owner, you are responsible for performance of the required maintenance listed in your owner's manual. Amano Pioneer Eclipse Corporation recommends that you retain all receipts covering maintenance on your small off-road engine, but Amano Pioneer Eclipse Corporation cannot deny warranty solely for the lack of receipts or your failure to ensure the performance of all scheduled maintenance.
- (b) As the small off-road engine owner, you should however be aware that Amano Pioneer Eclipse Corporation may deny you warranty coverage if your small off-road engine or a part has failed due to abuse, neglect, or improper maintenance or unapproved modifications.
- (c) You are responsible for presenting your small off-road engine to an Amano Pioneer Eclipse Corporation distribution center or service center as soon as the problem exists. The warranty repairs should be completed in a reasonable amount of time, not to exceed 30 days. If you have a question regarding your warranty coverage, you should contact Amano Pioneer Eclipse Corporation at 1-800-367-3550.

Defects Warranty Requirements

- (A) The warranty period begins on the date the engine or equipment is delivered to an ultimate purchaser.
- (B) **General Emissions Warranty Coverage.** Amano Pioneer Eclipse Corporation as the manufacturer of each small off-road engine or equipment must warrant to the ultimate purchaser and each subsequent owner that the engine or equipment is:
 - (1) Designed, built, and equipped so as to conform with all applicable regulations adopted by the Air Resources Board; and
 - (2) Free from defects in materials and workmanship that causes the failure of a warranted part for a period of two years.
- (C) The warranty on emissions-related parts will be interpreted as follows:
 - (1) Any warranted part that is not scheduled for replacement as required maintenance in the written instructions required by subsection (D) must be warranted for the warranty period defined in Subsection (B2). If any such part fails during the period of warranty coverage, it must be repaired or replaced by the manufacturer according to Subsection (C4) below. Any such part repaired or replaced under the warranty must be warranted for the remaining warranty period.
 - (2) Any warranted part that is scheduled only for regular inspection in the written instructions required by subsection (D) must be warranted for the warranty period defined in Subsection (B2). A statement in such written instructions to the effect of "repair or replace as necessary" will not reduce the period of warranty coverage. Any such part repaired or replaced under warranty must be warranted for the remaining warranty period.

- (3) Any warranted part that is scheduled for replacement as replacement as required maintenance in the written instructions required by subsection (D) must be warranted for the period of time prior to the first scheduled replacement point for that part. If the part fails prior to the first scheduled replacement, the part must be repaired or replaced by the engine manufacturer according to Subsection (C4) below. Any such part repaired or replaced under warranty must be warranted for the remainder of the period prior to the first scheduled replacement point for the part.
- (4) Repair or replacement of any warranted part under the warranty must be performed at no charge to the owner at a warranty station.
- (5) Notwithstanding the provisions of Subsection (C4) above, warranty services or Repairs must be provided at all manufacturer distribution centers that are franchised to service the subject engines.
- (6) The owner must not be charged for diagnostic labor that leads to the Determination that a warranted part is in fact defective, provided that such diagnostic work is performed at a warranty station.
- (7) The manufacturer is liable for damages to other engine components Proximately caused by a failure under warranty of any warranted part.
- (8) Throughout the emissions warranty period defined in Subsection (B2), the manufacturer must maintain a supply of warranted parts sufficient to meet the expected demand for such parts.
- (9) Any replacement part may be used in the performance of any warranty Maintenance or repairs and must be provided without charge to the owner. Such use will not reduce the warranty obligations of the manufacturer.
- (10) Add-on or modified parts that are not exempted by the Air Resources Board may not be used. The use of any non-exempted add-on or modified parts will be grounds for disallowing a warranty claim. The manufacturer will not be liable to warrant failures of warranted parts caused by the use of a non-exempted add-on or modified part.
- (11) The manufacturer issuing the warranty shall provide any documents that describe that manufacturer's warrant procedures or policies within five working days of request by the Air Resources Board.

(D) Emission Warranty Parts List

- (1) Fuel Metering System
 - (a) Carburetor, internal parts, and pressure regulator.
 - (b) Cold start enrichment system.
- (2) Air Induction System
 - (a) Intake manifold.
 - (b) Air filter.
- (3) Ignition System
 - (a) Spark Plugs.
 - (b) Magneto or electronic ignition system.
 - (c) Spark advance/retard system.
- (4) Exhaust System
 - (a) Exhaust manifold.
- (5) Miscellaneous Items Used in Above Systems
 - (a) Electronic Fuel Cut-off control.
 - (b) Vacuum, temperature, time sensitive valves, and switches.
 - (c) Hoses, belts, connectors, and assemblies.

Amano Pioneer Eclipse Corporation will furnish with each new engine written instructions for the maintenance and use of the engine by the owner.

Exception: This warranty does not apply to any machine models that do not have a catalyst muffler.



SAFETY AWARENESS FORM FOR PROPANE MACHINES

The following must be completed before an employee may use a propane machine!

I have read the "Operators Manual" and understand it.

Name:

(Print or Type)

Date:

Demonstrate to your instructor that you can do the following properly and safely:

How to prepare the propane machine for operation:

- A. Install pads.....
- B. Check oil.....
- C. Adjust handle.....
- D. Check fuel cylinder for overfilling.....
- E. Install fuel cylinder.....
- F. Do you have a MSDS for propane?.....

How to operate a propane machine:

- A. Start and stop the engine.....
- B. Emergency stop.....
- C. Clean air filter.....

Cautions:

- A. Allow only qualified, trained personnel to operate the machine.
- B. Use only D.O.T. approved fuel cylinders supplied by Amano Pioneer Eclipse.
- C. Always store fuel cylinders outside in a proper enclosure.
- D. Never vent a fuel cylinder inside.
- E. Always wear a CO detector badge.
- F. Never leave the machine running unattended.
- G. Know what to do and whom to call in case of emergency.

When all items are checked off and this form is signed by an instructor or supervisor, you may operate a propane machine.

Employee Signature: _____

Date: _____

Instructor/Supervisor Signature: _____

Date: _____



Amano Pioneer Eclipse Corporation

1 Eclipse Rd ● PO Box 909
Sparta, North Carolina 28675 ● USA
www.pioneereclipse.com

+1-336-372-8080
1-800-367-3550
Fax +1-336-372-2913