

Floor Burnisher
PE225BU DUST CONTROL
Operator's Manual

FOR YOUR SAFETY

DO NOT store or use gasoline or other flammable vapors and liquids in the vicinity of this or any other appliance.

Record This Important Information

Date of Purchase _____

Purchased From _____

Address _____

City _____ State _____ Zip _____

Phone _____ Contact _____

Machine Model _____

Machine Serial Number _____

Important Phone Numbers

Medical Emergency _____

Police _____

Fire Department _____



WARNING! The Products sold with this Manual contain or may contain chemicals that are known to certain governments (such as the State of California, as identified in its Proposition 65 Regulatory Warning Law) to cause cancer, birth defects or other reproductive harm. In certain locations (including the State of California) purchasers of these Products that place them in service at an employment job site or a publicly accessible space are required by regulation to make certain notices, warnings or disclosures regarding the chemicals that are or may be contained in the Products at or about such work sites. It is the purchaser's responsibility to know the content of, and to comply with, any laws and regulations relating to the use of these Products in such environments. The Manufacturer disclaims any responsibility to advise purchasers of any specific requirements that may be applicable to the use of the Products in such environments.

READ THIS BOOK

This book has important information for the use and safe operation of this machine. Failure to read this book prior to operating or attempting any service or maintenance procedure to your American Sanders machine could result in injury to you or to other personnel; damage to the machine or to other property could occur as well. You must have training in the operation of this machine before using it. If your operator(s) cannot read this manual, have it explained fully before attempting to operate this machine.

All directions given in this book are as seen from the operator's position at the rear of the machine.

Table of Contents

Section A - Contents

Operator Safety Instructions.....4
 How to Prepare the Machine for Operation.....6
 Instructions for Connection to Power Supply.....8
 Extension Cords.....8
 How to Operate the Machine.....10
 Position of the Handle for Operation.....10
 How to Start/Stop the Machine.....10
 Maintenance.....13
 Lubrication.....13
 Motor.....13
 Repairs.....13
 Handle Lock Lever.....13
 Switches.....13
 Maintenance Inspection.....14

Machine Specifications.....15

Section D - Contents

Notes.....16
 115V Electrical Schematic.....17
 230V Electrical Schematic.....17
 Main Assembly (225BU20V).....18
 Main Assembly (225BU20VE & 225BU20VEA).....20
 Main Assembly (225BU202V).....22
 Handle Assembly (225BU20V).....24
 Handle Assembly (225BU20VE & 225BU20VEA).....26
 Frame Assembly.....28

MODIFICATIONS

Modifications and additions to the cleaning machine which affect capacity and safe operation shall not be performed by the customer or user without prior written approval from Amano Pioneer Eclipse. Unapproved modifications will void the machine warranty and make the customer liable for any resulting accidents.

Operator Safety Instructions

In this Operation Manual you will find three statements that you must read and observe to ensure safe operation of this machine.

DANGER means: Severe bodily injury or death can occur to you or other personnel if the **DANGER** statements found on this machine or in this Operation Manual are ignored or are not adhered to. Read and observe all **DANGER** statements found in this Operation Manual and on your machine.

WARNING means: Injury can occur to you or to other personnel if the **WARNING** statements found on your machine or in the Operation Manual are ignored or are not adhered to. Read and observe all **WARNING** statements found in this Operation Manual and on your machine.

CAUTION means: Damage can occur to the machine or to other property if the **CAUTION** statements found on your machine or in this Operation Manual are ignored or are not adhered to. Read and observe all **CAUTION** statements found in this Operation Manual and on your machine.

**DANGER:**

Failure to read the Owner's Manual prior to operating or servicing your Pioneer Eclipse machine could result in injury to you or to other personnel; damage to the machine or to other property could occur as well. You must have training in the operation of this machine before using it. If you or your operator(s) cannot read English, have this manual explained fully before attempting to operate this machine.

**DANGER:**

To reduce the risk of fire, use only commercially available floor cleaners and waxes intended for machine application.

**DANGER:**

A. Electrocution could occur if the machine is being serviced while the machine is connected to a power source. Disconnect the power supply before servicing.

B. Electrocution or fire could occur if the machine is being operated with a damaged power cord. Keep the power cord clear of the pad. Always lift the cord over the machine. Do not move the machine by the power cord.

C. Shock hazard. Do not use the machine if it has been rained on or sprayed with water.

**DANGER:**

To avoid injury keep hands, feet, and loose clothing away from all moving parts on the machine. Disconnect the power cord before replacing the pad, changing the abrasive, or when servicing. Do not operate the machine unless all guards are in place. Never leave the machine unattended while connected to a power source.












**WARNING:**

Injury can occur if protective clothing or equipment is not used while using this machine. Always wear safety goggles, protective clothing, and dust mask while operating this machine.

**WARNING:**

Maintenance and repairs performed by unauthorized personnel could result in damage or injury. Maintenance and repairs must be performed by authorized personnel only. Keep all fasteners tight. Keep adjustments according to specifications.

Operator Safety Instructions (continued)

-  **WARNING:** Electrical components of this machine can “short-out” if exposed to water or moisture. Keep the electrical components of the machine dry. Wipe the machine down after each use. For storage, keep the machine in a dry building.
-  **WARNING:** To prevent damage to the power cord, do not let the brush, pad, pad driver or wheels touch the power cord when the machine is running. Always lift the cord over the machine. Do not pull the power cord to move the machine.
-  **WARNING:** Always use a three-wire electrical system connected to the electrical ground. For maximum protection against electric shock, use a circuit that is protected by a ground fault interrupter. Consult your electrical contractor.
-  **WARNING:** Operating a machine without observing all labels and instructional information could result in injury or damage. Read all machine labels before attempting to operate. Make sure all of the labels and instructional information are attached or fastened to the machine. Get replacement labels and decals from your authorized distributor.
-  **WARNING:** Use of this machine as a step or furniture could result in injury or damage. Do not use this machine as a step or furniture. Do not ride on this machine.
-  **WARNING:** To avoid injury keep hands, feet and loose clothing away from all moving parts of this machine.
-  **WARNING:** Any alterations or modifications of this machine could result in damage to the machine or injury to the operator or other bystanders. Alterations or modifications not authorized by the manufacturer voids any and all warranties and liabilities.
-  **WARNING:** Injury to operator or bystanders could occur if an abrupt change in floor surface texture is encountered when using this machine. Abrupt change in floor surface texture can cause a sudden pulling motion by this machine. This sudden pulling motion can result in loss of control of the machine which could injure the operator or bystanders. Avoid motions that could cause machine to cross from a smooth floor surface to a carpeted or rough texture floor surface. Avoid motions that could allow the machine to come in contact with low obstacles, such as floor electrical outlets, door stops or entry molding, etc.
-  **WARNING:** Water solutions or cleaning materials used with this type of machine can leave wet areas on the floor surface. These areas can cause a dangerous condition for the operator or other persons. Always put CAUTION signs near the area being cleaned.
-  **CAUTION:** The machine is heavy. Get assistance before attempting to transport or move it.
-  **CAUTION:** **This machine is intended for commercial use only.**

This Machine is Manufactured for Commercial use only.

This machine is designed and manufactured for indoor use on hard floor surfaces. Amano Pioneer Eclipse Corporation (APEC) does not recommend use of this machine in any environment other than an indoor environment. This floor machine is designed and manufactured for commercial floor use only. This machine is designed to clean most modern types of floors including composition tile, stone, marble, terrazzo, and resilient floor covering, and some coated wood floors.

Operator Responsibility

The operator is responsible for performing the recommended daily maintenance and checkups of the machine to keep it in good working condition. The operator must inform the service mechanic or supervisor when recommended maintenance procedures are required as prescribed in the "MAINTENANCE" section of this manual.

FOR SAFETY: DO NOT operate machine before reading and understanding the operation manual.

Keep your machine regularly maintained by following the maintenance information in this manual. Order parts and supplies only from an Authorized Amano Pioneer Eclipse Distributor. Use the parts illustration section of your manual when ordering parts.

During and after operation, perform the recommended daily and hourly procedures outlined in the Maintenance Chart.

Machine Preparation

Unpacking the Machine

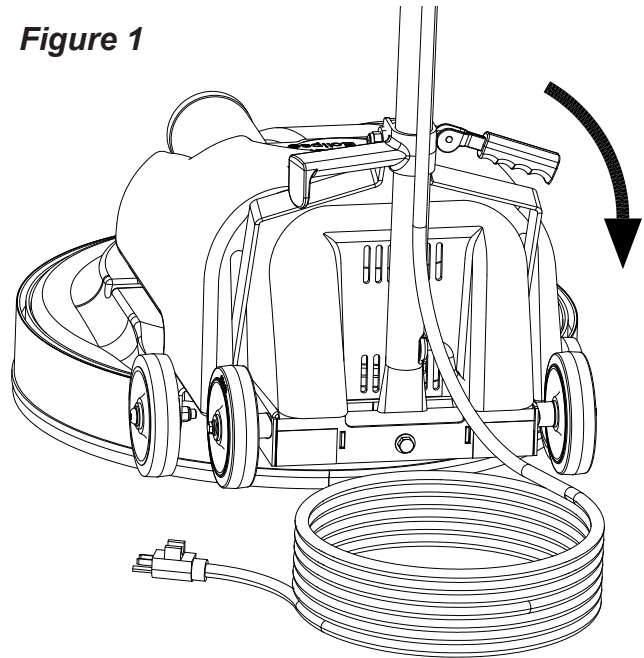
When the machine is delivered, carefully inspect the shipping carton and the machine for damage. Unpack the machine with caution. If damage is evident, save the shipping carton so that it can be inspected. Contact the Amano Pioneer Eclipse Customer Service Department.

Transporting the Machine

To transport the machine, follow this procedure:

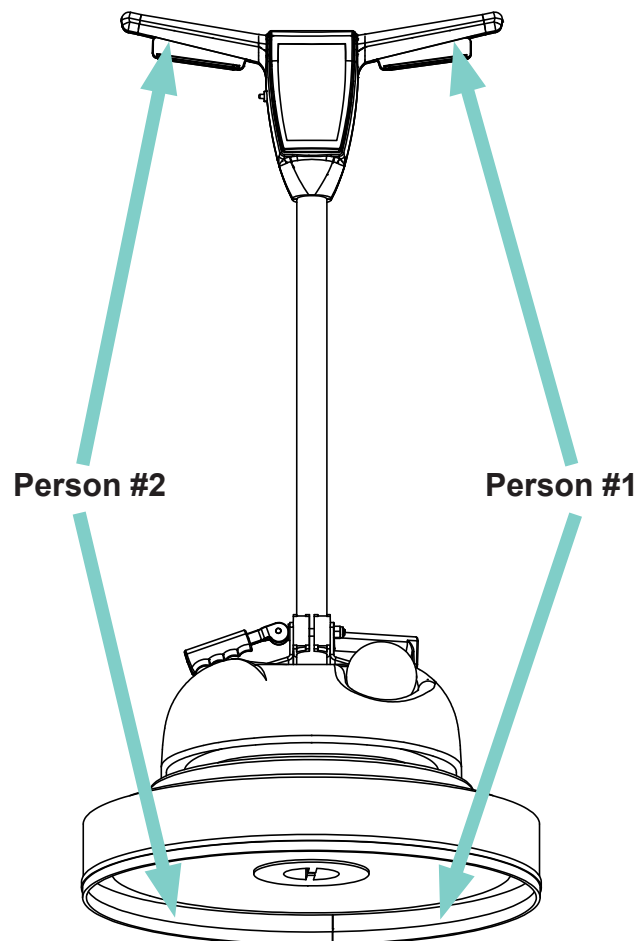
1. Raise and lock the handle in the upright position. To lock the handle, push down on the handle release lever (See Figure 1).
2. Unplug the machine from wall outlet and wrap cord around the handle and cord hook.
3. To pick up the machine, using two people, lift and place in cargo area (See Figure 2).

Figure 1

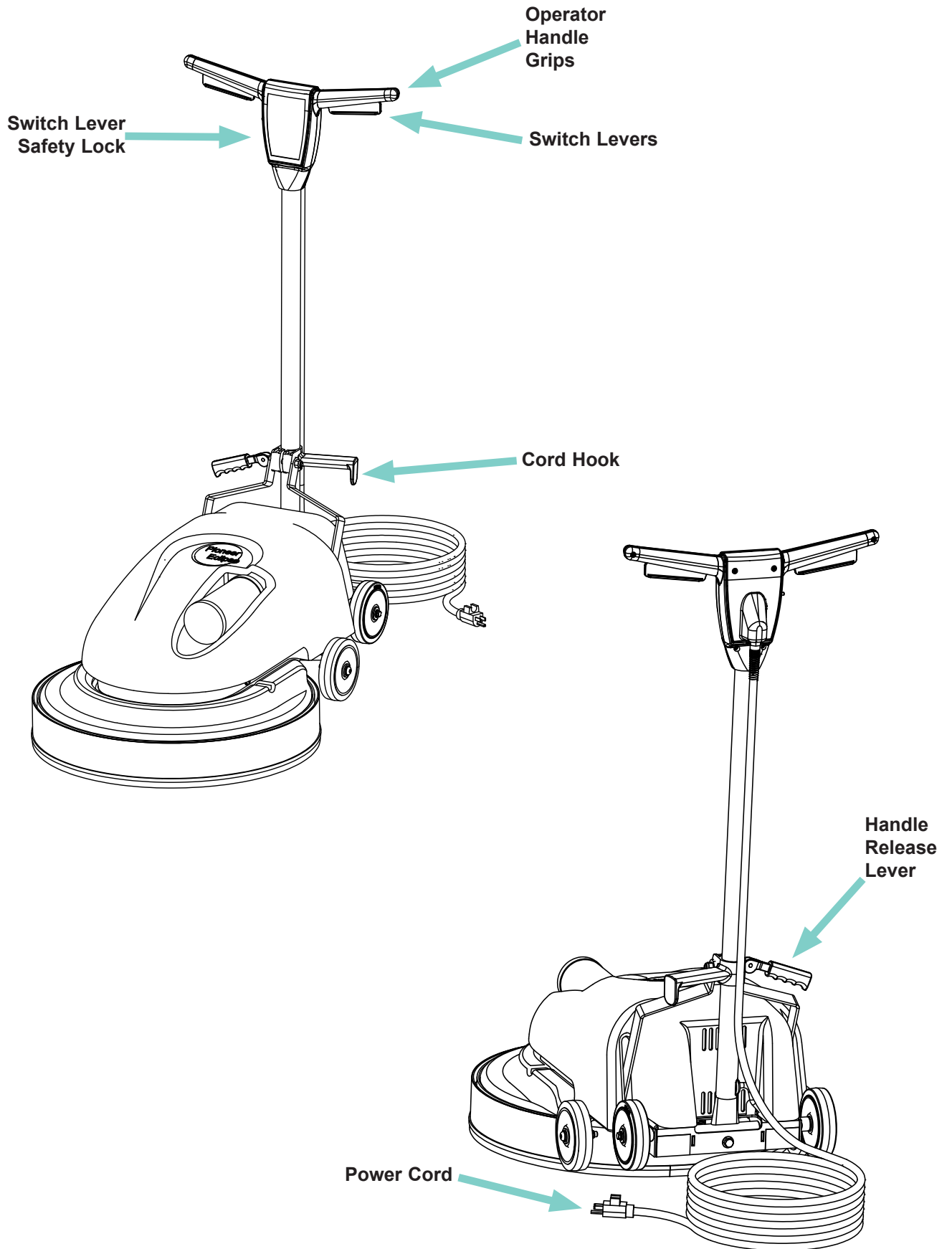


WARNING! The machine is heavy, 76 lbs (35 kg). To avoid injury or damage to the machine use a firm grip and proper lifting technique. Always use two people when lifting this machine.

Figure 2



Machine Components



Instructions for Connection to the Power Supply (120V)

This product must be grounded. If it should malfunction or breakdown, grounding provides a path of least resistance for electric current to reduce the risk of electrical shock. This product is equipped with a cord having an equipment-grounding conductor and grounding plug. The green (or green and yellow) conductor in the cord is the grounding wire. Never connect this wire to other than the grounding pin of the attachment plug. The plug must be inserted into an appropriate outlet that is properly installed and grounded in accordance with all local codes and ordinances.

WARNING: Improper connection of the equipment-grounding conductor can result in a risk of electric shock. Check with a qualified electrician or service person if you are in doubt as to whether the outlet is properly grounded. Do not modify the plug provided with the product - if it will not fit the outlet, have a proper outlet installed by a qualified electrician.

This product is for use on a nominal 120 volt circuit and has a grounding attachment plug that looks like the plug illustrated in Fig. 5. Make sure that the product is connected to an outlet having the same configuration as the plug. No adaptor should be used with this product.

WARNING: To prevent possible electric shock, protect the machine from rain. Keep the machine in a dry building.

WARNING: To prevent possible electric shock, always use a 3-wire electrical system connected to the electrical ground. For maximum protection against electrical shock, use a circuit that is protected by a ground fault circuit interrupter. Consult your electrical contractor.

WARNING: Do not cut, remove or break the ground pin. If the outlet does not fit the plug, consult your electrical contractor.

WARNING: Have worn, cut or damaged cords replaced by an authorized service person.

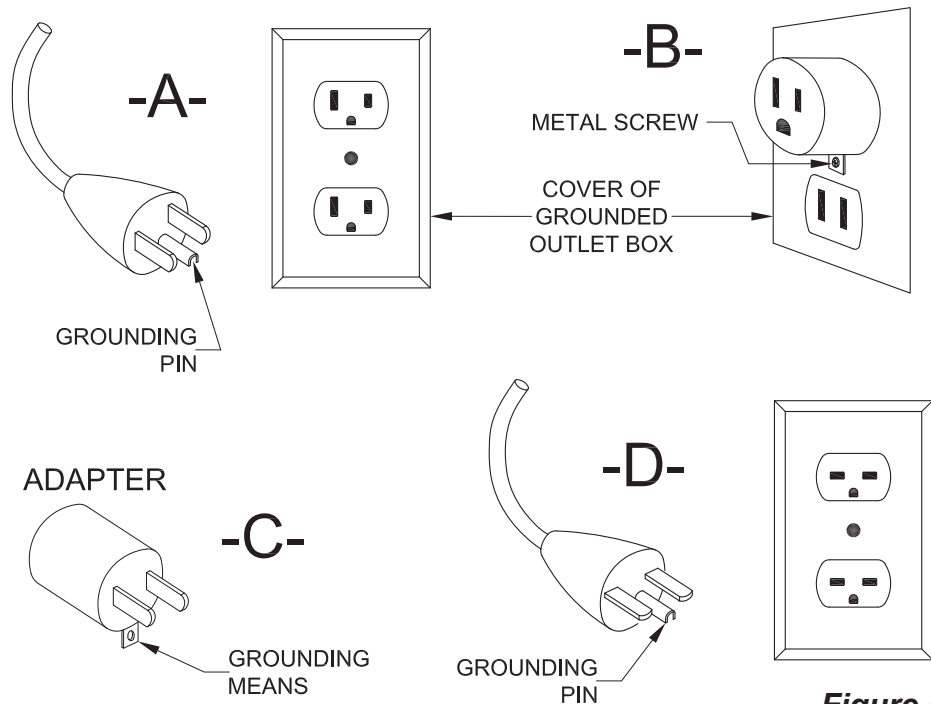


Figure 5

Extension Cords (120V)

Use only an approved extension cord with three conductors, a plug with three terminals, and a connector body with three holes. The machine has a power cord with wire size 14 AWG (AWG means American Wire Gauge).

WARNING: If you use an extension cord, use an extension cord with minimum wire size 12 AWG. Do not use an extension cord longer than 50 feet. Do not join two extension cords.

Instructions for Connection to the Power Supply (230V)

CAUTION: This machine will operate only on the AC frequency and electrical voltage shown on the nameplate. Make sure you have the correct frequency and voltage before connecting the power cord to an outlet.

This machine must be connected to the electrical ground to protect the operator from electric shock. The machine has a power cord with two main conductors and one earthing conductor. Connect the plug to the type of receptacle shown in figure 5. The green and yellow conductor cord is the ground wire. Never connect this wire to any terminal other than the ground terminal.

WARNING: Always use this machine with an AC three-conductor electrical system connected to the electrical ground. Replace any worn, cut, or damaged cords. Replace any damaged plugs, receptacles, or connector bodies. Do not move the machine over an electrical cord. Always lift the cord over the machine.

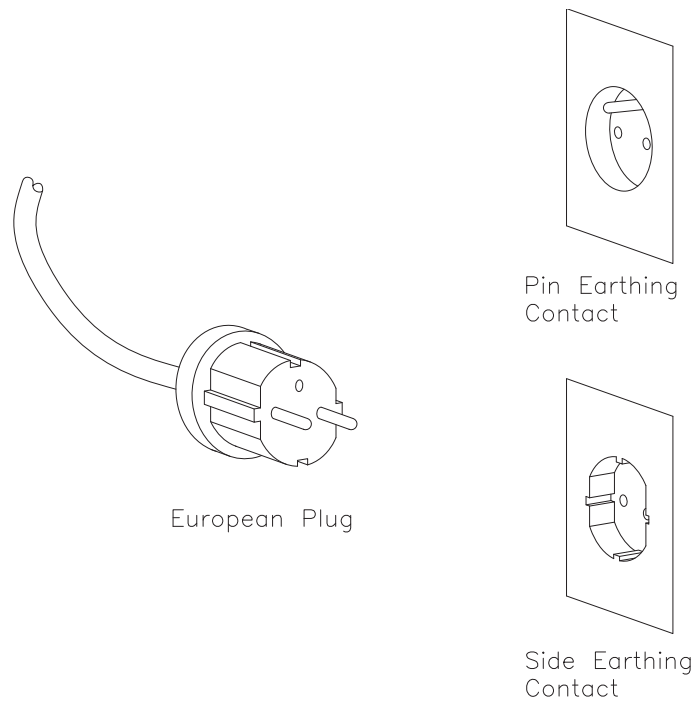


Figure 5

Extension Cords (230V)

Use only an approved extension cord with two main conductors and one earthing conductor.

WARNING: If you use an extension cord, use an extension cord with minimum wire size 1.55 mm². Do not use an extension cord longer than 15 meters. Do not join two extension cords.

WARNING: Do not cut, remove, or break the ground terminal. Do not try to fit a three-terminal plug into a receptacle or connector body that does not fit the plug. If the receptacle or connector body does not fit the plug, see your Authorized person to make the connection.

How to Operate the Machine

WARNING: Machines can cause flammable materials and vapors to burn. Do not use this machine with or near matches, fuels, grain dust, solvents, thinners, or other flammable materials.

CAUTION: This machine will operate only on the AC frequency and electrical voltage shown on the nameplate. Make sure you have the correct frequency and voltage before connecting the power cord to an outlet.

NOTE: You must have training in the operation of this machine before you use this machine.

Position of the Handle for Operation

Lift the lever to unlock the handle. Lower the handle to the best position. Bend your arms and keep your back straight. To fasten the handle, press down on the lever with your foot. Hold the handle against your body for the best control.

Operation

1. Unwrap the power cord and plug it into the properly grounded outlet.
2. Pull up on the handle release lever (5). Move the operator handle (4) downward until your arms are almost straight. Push down on the handle release lever (5) to lock it in place.
3. Hold one of the operator handle grips (1) firmly, push the switch lever safety lock (2) and then compress the switch lever (3) to start the motor.
4. Lift up on the operator handle (4) until the pad is flat against the floor.

CAUTION! Immediately start moving the machine back and forth. Keep the machine moving while the motor is running to avoid damage to the floor.

Note: When the switch levers (3) are released, the machine shuts off immediately.

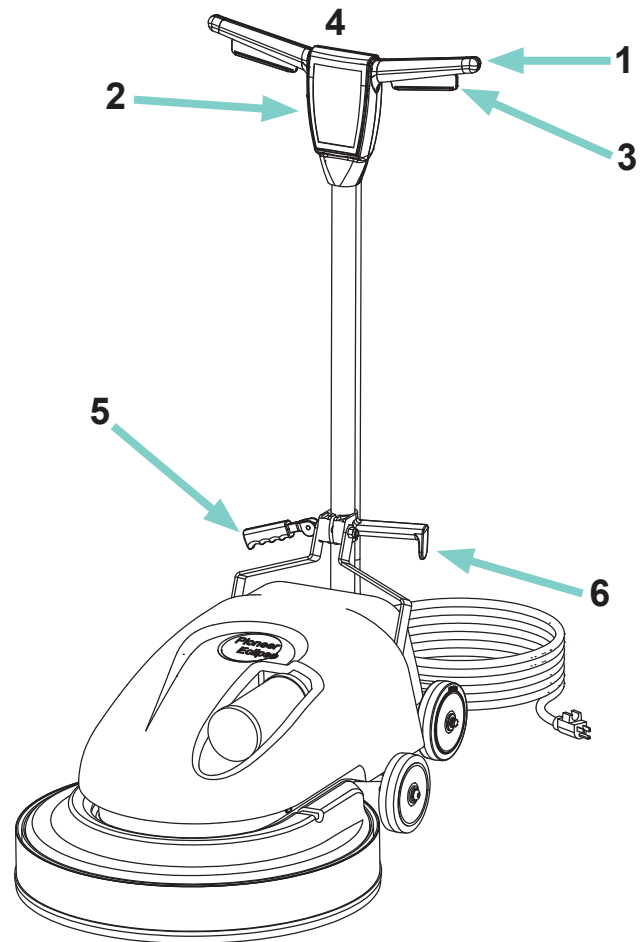


Figure 7

How to Start/Stop the Machine

WARNING: Never start a burnisher when the handle is in the vertical position.

The switch to start and stop the machine is activated by the interlock switch and the levers under the handle grips (see Figure 9). To start the machine, follow this procedure:

1. Lower the handle.
2. Lock the handle in the best position for operation. (see Figure 8).

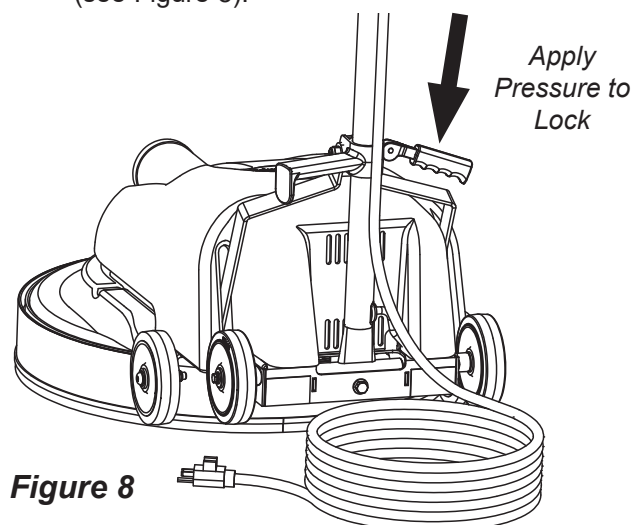




Figure 8

Section - A

 **WARNING:** Control the safety interlock switch with hands only.

 **NOTE:** Make sure you hold the handle with both hands

3. Push the interlock switch first and then apply pressure to the levers. (see Figure 9).

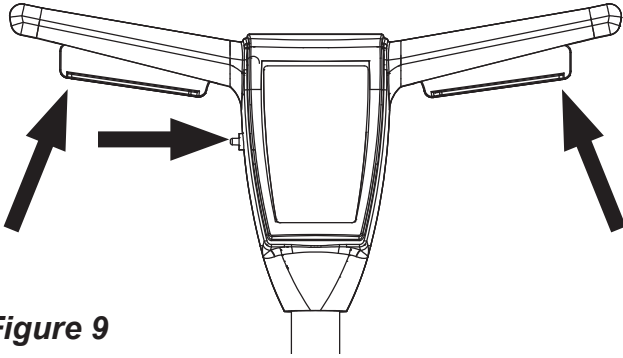




Figure 9

WARNING: Water solutions or cleaning materials used with this type of machine can leave wet areas on the floor surface. These areas can cause a dangerous condition for the operator or other persons. Always put CAUTION signs near the area being cleaned.

After Use

1. Place the operators handle (4) in the upright (vertical) position and unplug the power cord. Wrap the power cord around the operator hand grips (1) and the cord hook (6).

-  Wipe the entire machine with a clean, damp cloth.

 3. Inspect the entire machine and all accessories for damage. Perform any required maintenance or repairs before storage.
4. Store the machine in a clean, dry place with the operator handle (4) locked in the upright position.

Safety Precautions

Anyone operating the machine should read the following carefully and be informed of potentially dangerous operating conditions. Operators should be familiar with the location and use of all safety devices on the machine. **DO NOT** use the machine if it is not in proper operating condition, and report any damage or operation faults immediately.

DANGER! Failure to read the Owner's Manual prior to operating or attempting any service or maintenance procedure to your machine could result in injury to you or to other personnel; damage to the machine or to other property could occur as well. You must have training in the operation of this machine before using it. If you or your operator(s) cannot read English, have this manual explained fully before attempting to operate this machine.

DANGER! This machine has parts, including the pad assemblies, that can cause severe injury if these parts are contacted while they are moving. **DO NOT** allow any part of the body or clothing to come in contact with these parts while they are moving. **DO NOT** try to change attachments while the machine is running. **DO NOT** allow other people to come near the machine while it is in operation. **DO NOT** allow machine to run unattended. **DO NOT** leave the machine in a place where unauthorized or untrained personnel could use the machine. **DO NOT** run the machine with the pad off center, damaged, or missing. **DO NOT** operate the machine if the machine has loose parts.

DANGER! Injury can occur to the eyes and body while using the machine. Safety goggles, safety shoes, and safety clothing are recommended while operating the machine.

DANGER! Operating a machine that is not completely or fully assembled could result in injury or property damage. **DO NOT** operate this machine until it is completely assembled. Inspect the machine carefully before operation.

DANGER! Electrocutation could occur if maintenance and repairs are performed on a unit that is not disconnected from the power source. Disconnect the power supply before attempting any maintenance or service. Always remove the electrical plug from the electrical outlet before changing the brush, pad or other attachment and before leaving the machine.

DANGER! Using a machine with a damaged power cord could result in an electrocution. **DO NOT** use the machine if the power cord is damaged. **DO NOT** use the electrical cord to move the machine.

WARNING! Machine vibration may cause tingling or numbness in the fingers and hands. Gloves are recommended to reduce machine vibration. If tingling or numbness persists, shut off the machine. If vibration

is caused by loose parts, adjust or tighten these parts before using the machine again.

WARNING! Modifications or alterations to this machine can lead to personal injury or damage to the machine. **DO NOT** make unauthorized modifications or alterations to this machine. Amano Pioneer Eclipse assumes no liabilities for injury or damage resulting from an unauthorized modification or alteration to the machine. Any unauthorized modification or alteration to this machine voids all warranties.

WARNING! Electrical components of this machine can "short-out" if exposed to water or moisture. Keep the electrical components of the machine dry. Wipe the machine down after each use. For storage, keep the machine in a dry building.

WARNING! Always use a three-wire electrical system connected to the electrical ground. For maximum protection against electric shock, use a circuit that is protected by a ground fault interrupter. Consult your electrical contractor.

WARNING! To prevent damage to the power cord, **DO NOT** let the pad, pad driver or wheels touch the power cord when the machine is running. Always lift the cord over the machine. **DO NOT** pull the power cord to move the machine.

WARNING! Operating a machine without observing all labels and instructional information could result in injury or damage. Read all machine labels before attempting to operate. Make sure all of the labels and instructional information are attached or fastened to the machine. Get replacement labels and decals from your authorized distributor.

WARNING! Machine vibration may cause tingling or numbness in the fingers and hands. Gloves are recommended to reduce machine vibration. If tingling or numbness persists, shut off the machine. If vibration is caused by loose parts, adjust or tighten these parts before using the machine again.


WARNING! Use of this machine as a step or furniture could result in injury or damage. **DO NOT** use this machine as a step or furniture. **DO NOT** ride on this machine.

WARNING! To avoid injury keep hands, feet and loose clothing away from all moving parts of this machine.

WARNING! Any alterations or modifications of this machine could result in damage to the machine or injury to the operator or other bystanders. Alterations or modifications not authorized by the manufacturer voids any and all warranties and liabilities.

CAUTION! The machine is heavy. Get assistance before attempting to transport or move it.

Maintenance of the Machine

 **WARNING:** Maintenance must be done by authorized personnel only.

Clean your machine frequently. It will have longer life and need fewer repairs.

Lubrication

All bearings are sealed. Replace bearings as needed.

Motors

Remove or blow dust and dirt from the motor frequently.

Repairs


If repairs to the motor are needed, do not disassemble the motor! Return the machine to the nearest Amano Pioneer Eclipse Distributor or Amano Pioneer Eclipse Authorized Service Center.


Maintenance Inspection

Return the machine to a Amano Pioneer Eclipse Authorized Service location every 12 months for maintenance inspections.


Handle Lock Lever

The locking mechanism for the handle can become loose. Tighten the nut on the end of the cross link bolt. The pressure of the locking lever is correct when the handle can be adjusted easily and fastened as needed.


 **WARNING:** Maintenance must be done by authorized personnel only.

 **WARNING:** Disconnect the electrical plug from the electrical outlet before doing any repairs or maintenance to the machine.

Clean your machine frequently. It will have longer life and need fewer repairs. Replace damaged or worn parts with the correct Amano Pioneer Eclipse parts.

 **CAUTION:** Keep all fasteners tight. Keep all adjustments according to specifications.

Switches

 **WARNING:** All electrical repairs must be done by authorized personnel only. The machine must be tested after electrical repairs are made to make sure it is safe to operate. Disconnect the electrical plug from the outlet before doing any electrical repairs to this machine.

The start and stop switches are in the handle. If any part of the switch is not operating, replace the part. If any part of the electrical system of the machine is not operating or is damaged, replace the part. Make sure all connections are tight. Return the machine to a Amano Pioneer Eclipse Service Branch or a Amano Pioneer Eclipse Authorized Service Center for electrical repairs and testing.

Scheduled Maintenance

Operation	Interval		
	Daily	Monthly	Every 6 Months
Check for loose or lost fasteners	●		
Inspect cords and connections	●		
Inspect pad holder for damage	●		
Clean the machine and accessories	●		
Check machine wiring for fray or cut		●	
Check the carbon brushes of motor			●

These items must be performed with the proper tools and training. Contact an Amano Pioneer Eclipse Factory Certified Technician unless you have the proper equipment and technical proficiency.

Machine Troubleshooting

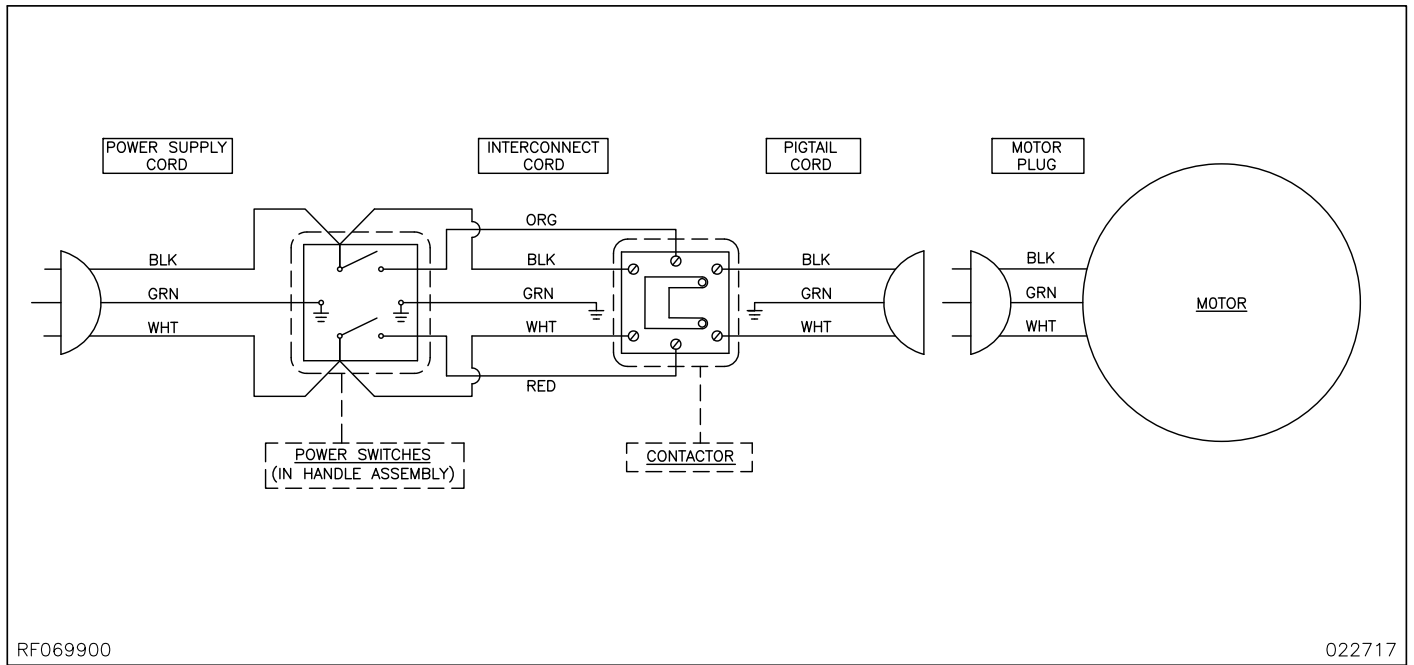
Problem	Possible Cause	Solution
Machine will not start	Tripped circuit breaker	Press reset button on circuit breaker (under rear of machine).
	No power	Check the main power supply (building circuit breaker).
		Check the cord connection at the wall outlet
	Switch lever safety lock not depressed	Hold in the switch lever safety lock and then engage switch levers.
	Bad connection	Check the motor and cord interlock connections.
Defective motor	Contact an authorized APEC Distributor.	
Motor runs sluggish	Low voltage	Using extension cord with wire smaller than 12/3. Replace with a 12/3 extension cord.
		Using more than one extension cord. Only use one 50ft 12/3 extension cord.
	Bad motor	Contact an authorized APEC Distributor.
	Handle is not locked	Push down on handle release lever to lock handle.
Defective handle switch	Contact an authorized APEC Distributor.	
Fuse / circuit breaker repeatedly trips	Low voltage	Eliminate extension cord & locate a power source closer to work site.
		Have voltage checked by a qualified electrician.
	Not on a dedicated circuit	Make sure there is no other items using power on the circuit.
	Motor is overloaded	Try a different pad that is less aggressive.
		DO NOT add weight to machine. Remove any excess weight added to machine.
	Bad connection	Contact an authorized APEC Distributor.
Handle is not locked	Push down on handle release lever to lock handle.	
Defective motor	Contact an authorized APEC Distributor.	
Machine vibrates during operation	Defective pad	One side is more dense than the other. Replace pad.
	Warped or damaged padholder	Replace.
	Pad not installed properly / not centered	Remove and install properly.
Poor Performance	There are lines on the floor	The floor was not cleaned before buffing. Scrub and clean the floor.
		Clean the pad or replace with a new clean pad.
	There floor does not shine	Use the appropriate pad for the job.

Technical Specifications:

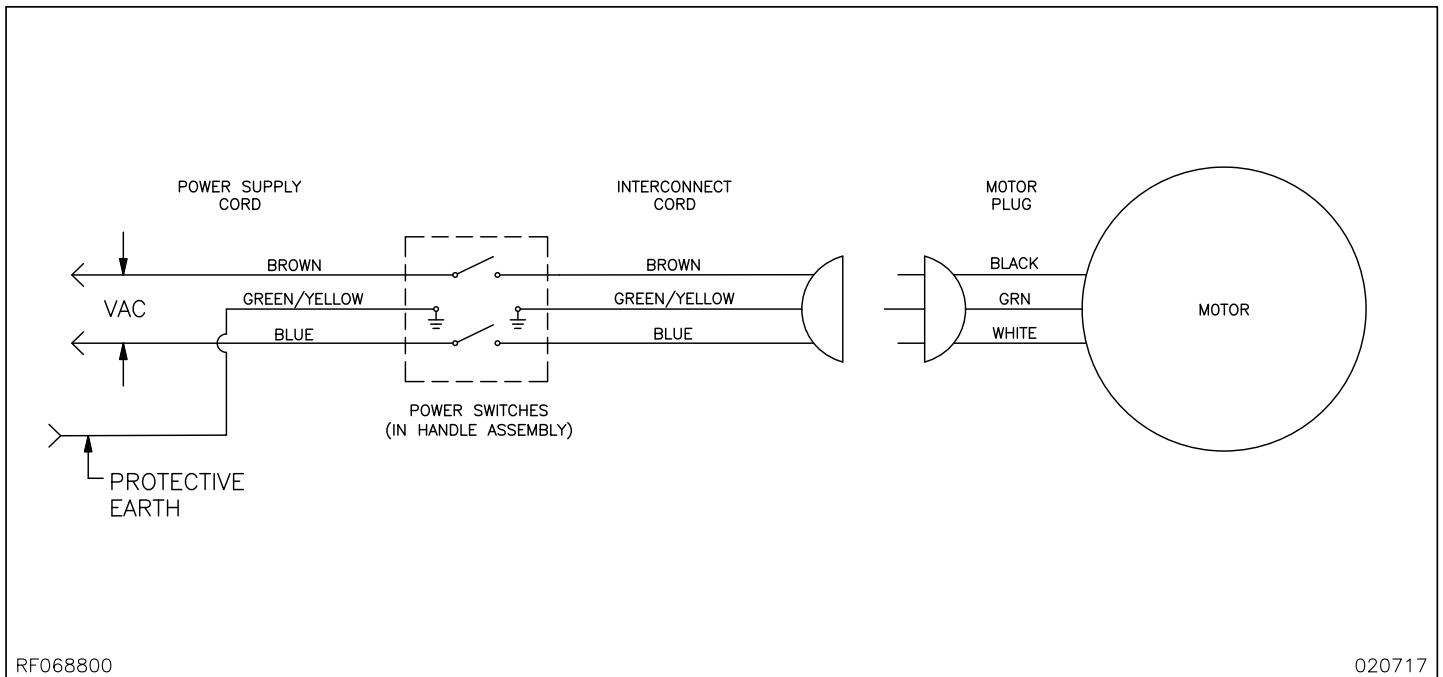
<u>Description</u>	<u>225BU20V</u>	<u>225BU20VE</u>	<u>225BU20VEA</u>
Voltage (V)	115	230	230
Frequency (Hz)	60	50	50
Current (A)	12	5	8
Pad / Brush Speed	1500 rpm	1500 rpm	1500 rpm
Power	1.5 hp (1.1 kW)	1.5 hp (1.1kW)	1.5 hp (1.1kW)
Pad Size	20" (51 cm)	20" (51 cm)	20" (51 cm)
Cord	14/3 Yellow	H05VVF3G 1.5mm ²	H05VVF3G 1.5mm ²
Cord Length	50' (15 m)	40' (12 m)	40' (12 m)
Height w/ Handle	49" (125 cm)	49" (125 cm)	49" (125 cm)
Width	20" (51 cm)	20" (51 cm)	20" (51 cm)
Length	32" (81.5 cm)	32" (81.5 cm)	32" (81.5 cm)
Weight w/ cord	76 lbs (35 kg)	76 lbs (35 kg)	76 lbs (35 kg)
Handle Tube	Tubular Steel	Tubular Steel	Tubular Steel
Main Frame	Welded Steel Sheet Metal	Welded Steel Sheet Metal	Welded Steel Sheet Metal
Shroud	Polyethylene	Polyethylene	Polyethylene
Wheels	5" Non Marking	5" Non Marking	5" Non Marking

<u>Description</u>	<u>225BU202V</u>
Voltage (V)	115
Frequency (Hz)	60
Current (A)	12
Pad / Brush Speed	2000 rpm
Power	1.5 hp (1.1 kW)
Pad Size	20" (51 cm)
Cord	14/3 Yellow
Cord Length	50' (15 m)
Height w/ Handle	49" (125 cm)
Width	20" (51 cm)
Length	32" (81.5 cm)
Weight w/ cord	76 lbs (35 kg)
Handle Tube	Tubular Steel
Main Frame	Welded Steel Sheet Metal
Wheels	5" Non Marking

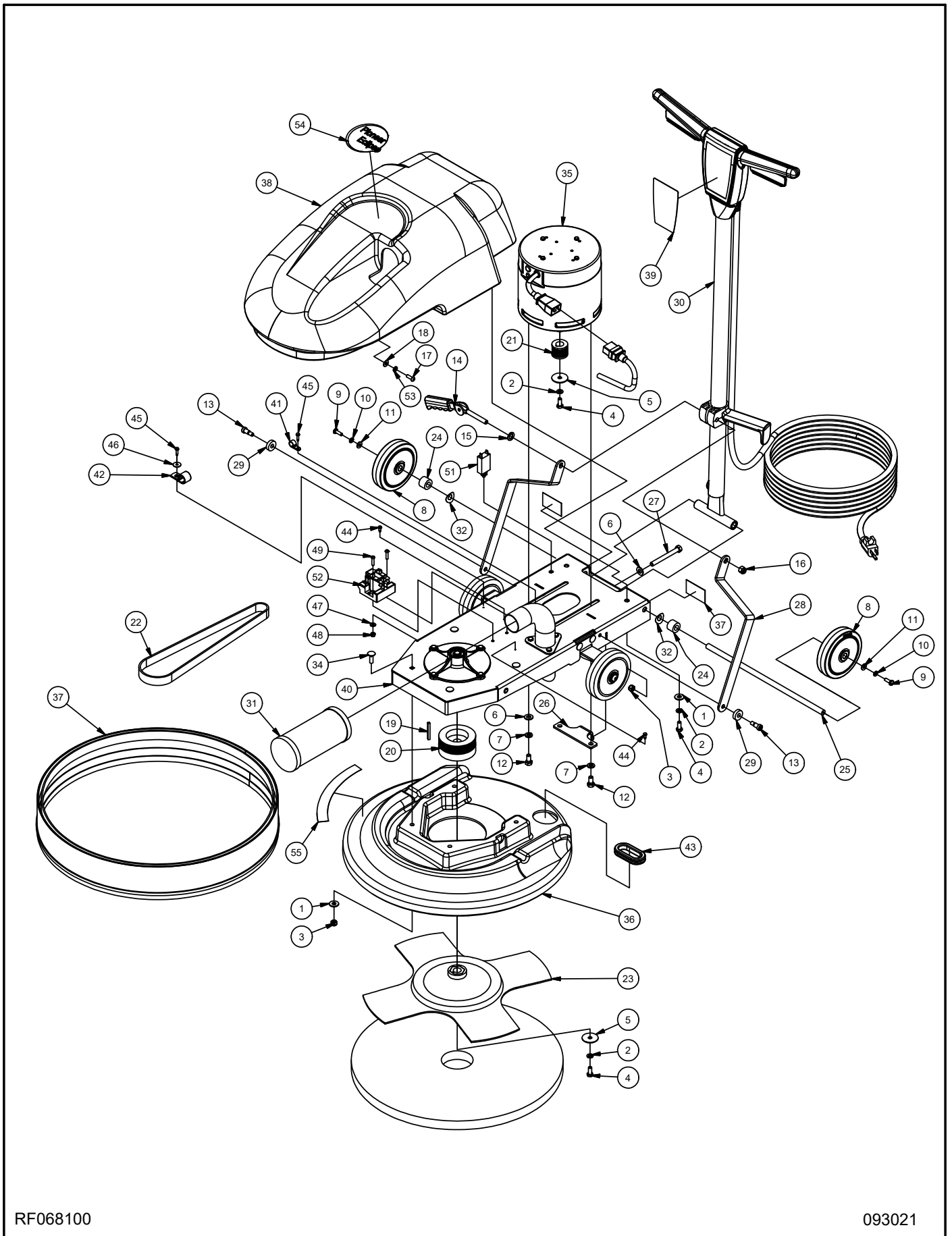
Electrical Schematic - 120V



Electrical Schematic - 230V



Main Assembly (225BU20V)



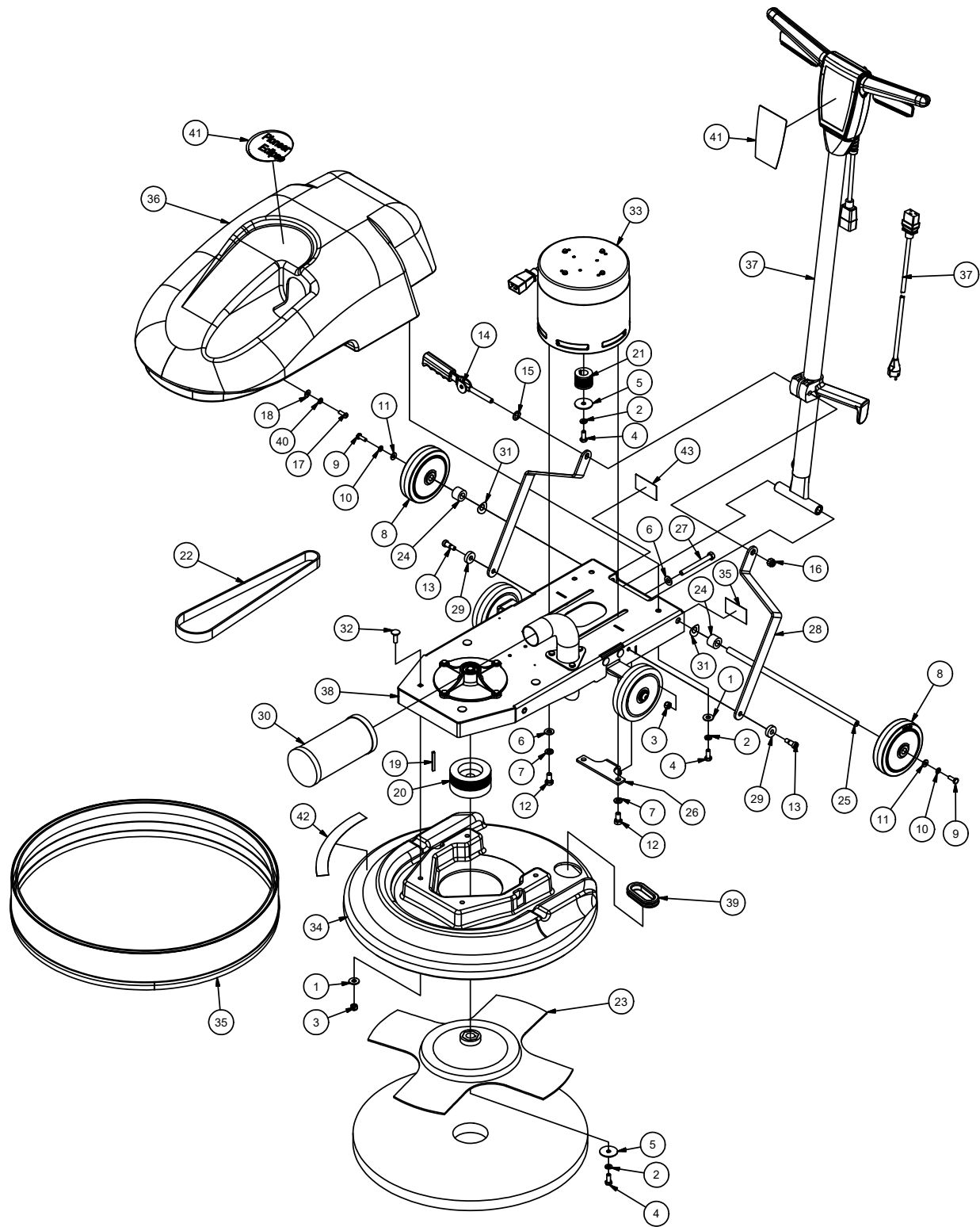
RF068100

093021

Main Assembly (225BU20V)

Parts List			
ITEM	QTY	PART NUMBER	DESCRIPTION
1	6	NB9267	WASHER, FLAT, 5/16"
2	4	NB6111	WASHER, LOCK, 5/16"
3	6	NB3265	NUT, LOCK, 5/16"-18, NC
4	4	NB9745	SCREW, CAP, 5/16"-18 X 3/4"
5	2	NB9505	WASHER, FLAT, 5/16" X 1 1/2"
6	3	MX1080	WASHER, FLAT, 3/8
7	4	MX1075	WASHER, LOCK, 3/8"
8	2	39857A	WHEEL 5 POLISHER
9	2	NB019100	BOLT, HEX, 1/4-20 X 3/4, GD 5
10	2	NB6110	WASHER, LOCK, 1/4"
11	2	NB3350	WASHER, FLAT, 1/4"
12	4	NB6851	SCREW, CAP, HH, 3/8-16 X 3/4
13	2	80026A	BOLT SHOULDER 3/8 X 1/2
14	1	56109699	CAM ASSY WITH GRIP
15	1	AS087800	WASHER WEAR CAM
16	1	920342	NUT LK 3/8 -16 REG
17	2	NB049000	SCREW, BH, 1/4-20 X 3/4, SS
18	2	NB025400	WASHER, FLAT, 1/4", SS
19	1	MP236800	KEY, 3/16 X 1 7/8
20	1	MP503300	PULLEY, 3.5" DIA., 10 GROOVE, J SECTION
21	1	MP503400	PULLEY, 1.5" DIA., 10 GROOVE, J SECTION
22	1	MP507900	BELT, 35", J SECTION, 10 GROOVE
23	1	MP506700	PADHOLDER, 20", MALISH, W/KEYED RISER
24	2	MP503800	SPACER, WHEEL, 1" OD X .5" ID X .75 L
25	1	MP503900	AXLE, REAR, .50 DIA. X 15.43 L
26	1	MP504500	BRACKET, ADJUSTMENT, BELT, ASM
27	1	NB073300	BOLT, HEX, 3/8-16 X 3 1/2, TAP, GD5, ZINC
28	2	MP502800	BRACKET, SUPPORT, HANDLE
29	2	MP503700	SPACER, PIVOT, NYLON, 1" OD X .38" ID X .315 L
30	1	MP506500	HANDLE, 225BU20V, ASM.
31	1	KA110137048	FILTER, ELEMENT
32	2	80295A	WASHER BOWED .516ID X 1.06OD
33	1	MP507200	CORD, PIGTAIL, 225BU
34	4	NB5000	BOLT, CARRIAGE, 5/16 X 1
35	1	MP504100	MOTOR, 1.5HP, 115V, 3200RPM
36	1	MP505300	SHROUD, DUST CONTROL, 225BU
37	1	MP506800	SKIRT, DUST, 20", 225BU
38	1	MP505200	COVER, DUST CONTROL, 225BU
39	1	MP504400	DECAL, HANDLE, 225BU
40	1	MP507800	FRAME, ASSEMBLY, 225BU20V
41	1	51074A	CLAMP CABLE
42	1	NB8130	CLAMP, 3/4" ID, RETAINER
43	1	NB043800	GROMMET, 2"ID X 3/16 GROOVE X 2 3/4"OD
44	2	170906	SCREW, DRILL KWIK, 8 x 1/2
45	2	NB4381	SCREW, DRILL KWIK, 8 X 3/4
46	1	80291A	WASHER, FLAT, #10
47	2	NB9645	WASHER, FLAT, #10
48	2	NB9735	NUT, LOCK, 10-24, NYLON
49	2	NB033300	SCREW, BH, 10-24 X 7/8
50	1	56459367	BOOT, RESET BUTTON (NOT SHOWN)
51	1	56454538	CIRCUIT BREAKER, 15A
52	1	41807A	CONTACTOR DPST 115V COIL 1.5 Hp
53	2	NB025700	WASHER, LOCK, 1/4"
54	1	MP498900	DECAL, PE, 4", MASKED, FOR WHT
55	1	MP007300	DECAL, KEEP HANDS/FEET (TRILING) WHITE

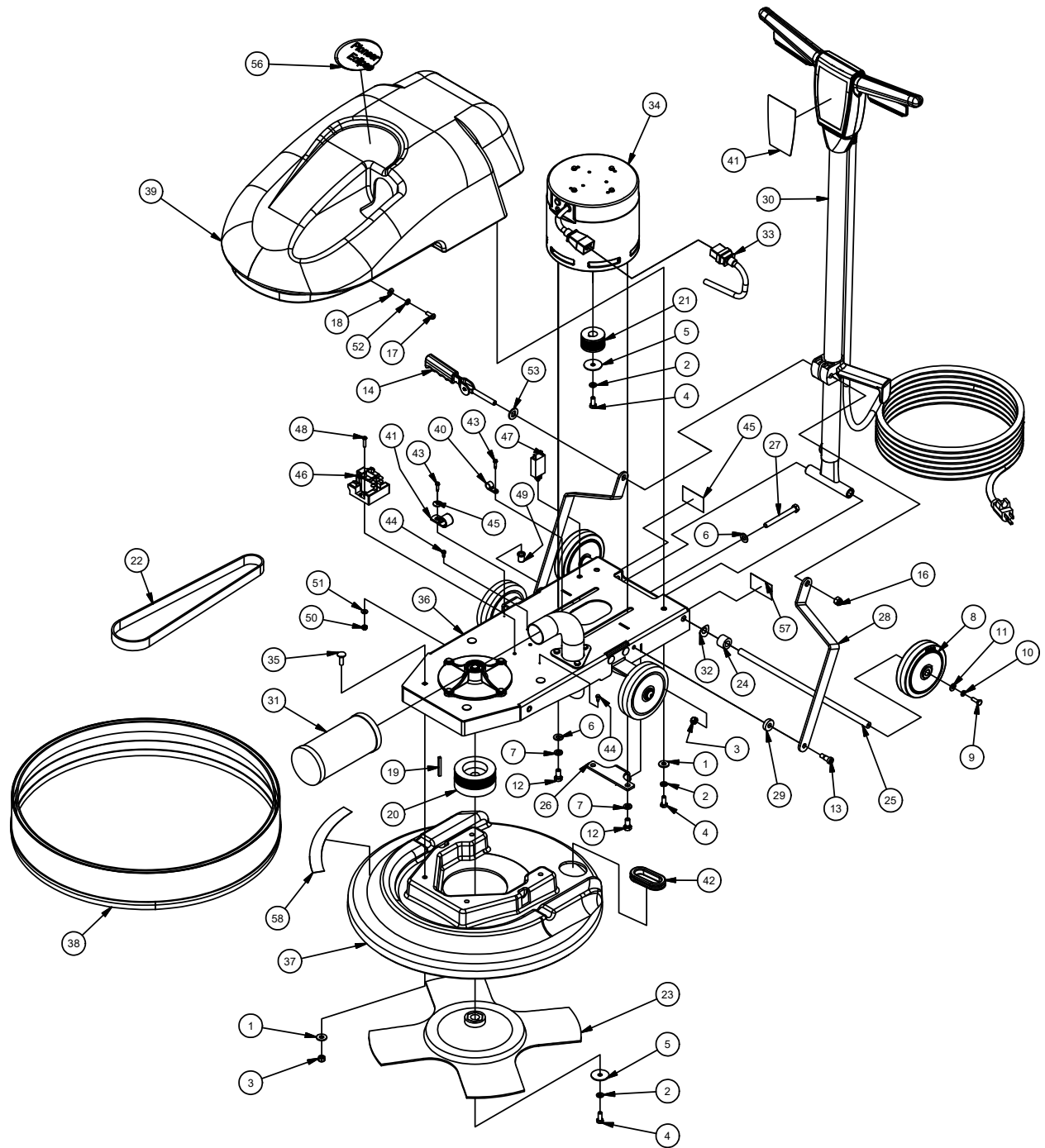
Main Assembly (225BU20VE & 225BU20VEA)



Main Assembly (225BU20VE & 225BU20VEA)

Parts List			
ITEM	QTY	PART NUMBER	DESCRIPTION
1	6	NB9267	WASHER, FLAT, 5/16"
2	4	NB6111	WASHER, LOCK, 5/16"
3	6	NB3265	NUT, LOCK, 5/16"-18, NC
4	4	NB9745	SCREW, CAP, 5/16"-18 X 3/4"
5	2	NB9505	WASHER, FLAT, 5/16" X 1 1/2"
6	3	MX1080	WASHER, FLAT, 3/8
7	4	MX1075	WASHER, LOCK, 3/8"
8	2	39857A	WHEEL 5 POLISHER
9	2	NB019100	BOLT, HEX, 1/4-20 X 3/4, GD 5
10	2	NB6110	WASHER, LOCK, 1/4"
11	2	NB3350	WASHER, FLAT, 1/4"
12	4	NB6851	SCREW, CAP, HH, 3/8-16 X 3/4
13	2	80026A	BOLT SHOULDER 3/8 X 1/2
14	1	56109699	CAM ASSY WITH GRIP
15	1	AS087800	WASHER WEAR CAM
16	1	920342	NUT LK 3/8 -16 REG
17	2	NB049000	SCREW, BH, 1/4-20 X 3/4, SS
18	2	NB025400	WASHER, FLAT, 1/4", SS
19	1	MP236800	KEY, 3/16 X 1 7/8
20	1	MP503300	PULLEY, 3.5" DIA., 10 GROOVE, J SECTION
21	1	MP503400	PULLEY, 1.5" DIA., 10 GROOVE, J SECTION
22	1	MP507900	BELT, 35", J SECTION, 10 GROOVE
23	1	MP506700	PADHOLDER, 18", X-PAD, W/KEYED RISER
24	2	MP503800	SPACER, WHEEL, 1" OD X .5" ID X .75 L
25	1	MP503900	AXLE, REAR, .50 DIA. X 15.43 L
26	1	MP504500	BRACKET, ADJUSTMENT, BELT, ASM
27	1	NB073300	BOLT, HEX, 3/8-16 X 3 1/2, TAP, GD5, ZINC
28	2	MP502800	BRACKET, SUPPORT, HANDLE
29	2	MP503700	SPACER, PIVOT, NYLON, 1" OD X .38" ID X .315 L
30	1	KA110137048	FILTER, ELEMENT
31	2	80295A	WASHER BOWED .516ID X 1.06OD
32	4	NB5000	BOLT, CARRIAGE, 5/16 X 1
33	1	MP506000	MOTOR, 1.5HP, 230V/50HZ, 3200RPM
34	1	MP505300	SHROUD, DUST CONTROL, 225BU
35	1	MP506800	SKIRT, DUST, 20", 225BU
36	1	MP505200	COVER, DUST CONTROL, 225BU
37	1	MP511000	HANDLE, ALUMINUM, EXPORT, ASM.
38	1	MP507800	FRAME, ASSEMBLY, 225BU20V
39	1	NB043800	GROMMET, 2"ID X 3/16 GROOVE X 2 3/4"OD
40	2	NB025700	WASHER, LOCK, 1/4"

Main Assembly - 2000 RPM MODEL (225BU202V)



Main Assembly - 2000 RPM MODEL (225BU202V)

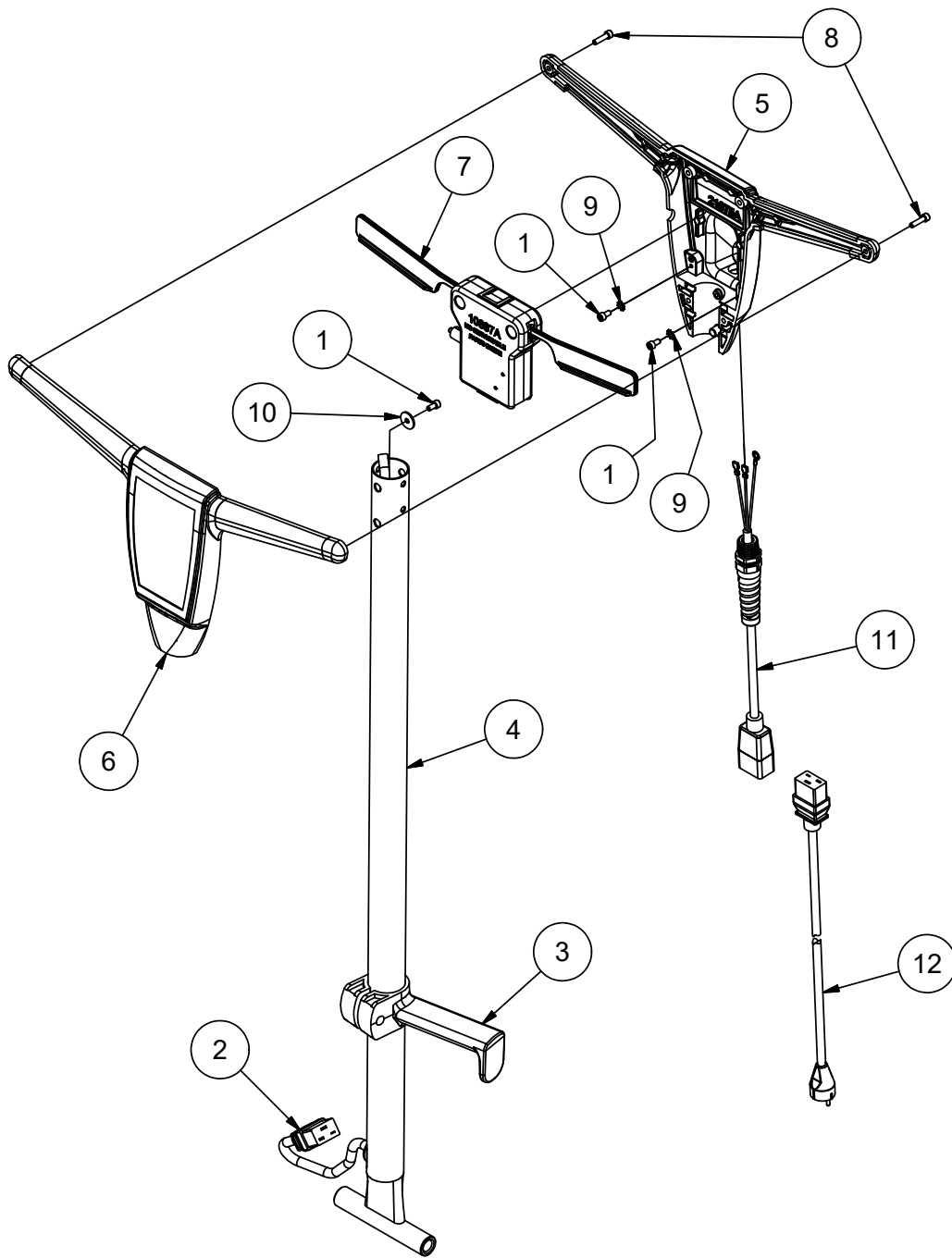
Parts List			
ITEM	QTY	PART NUMBER	DESCRIPTION
1	6	NB9267	WASHER, FLAT, 5/16"
2	4	NB6111	WASHER, LOCK, 5/16"
3	6	NB3265	NUT, LOCK, 5/16"-18, NC
4	4	NB9745	SCREW, CAP, 5/16"-18 X 3/4"
5	2	NB9505	WASHER, FLAT, 5/16" X 1 1/2"
6	3	MX1080	WASHER, FLAT, 3/8
7	4	MX1075	WASHER, LOCK, 3/8"
8	2	39857A	WHEEL 5 POLISHER
9	2	NB019100	BOLT, HEX, 1/4-20 X 3/4, GD 5
10	2	NB6110	WASHER, LOCK, 1/4"
11	2	NB3350	WASHER, FLAT, 1/4"
12	4	NB6851	SCREW, CAP, HH, 3/8-16 X 3/4
13	2	80026A	BOLT SHOULDER 3/8 X 1/2
14	1	56109699	CAM ASSY WITH GRIP
15	1	AS087800	WASHER WEAR CAM
16	1	920342	NUT LK 3/8 -16 REG
17	2	NB049000	SCREW, BH, 1/4-20 X 3/4, SS
18	2	NB025400	WASHER, FLAT, 1/4", SS
19	1	MP236800	KEY, 3/16 X 1 7/8
20	1	MP503300	PULLEY, 3.5" DIA., 10 GROOVE, J SECTION
21	1	MP505100	PULLEY, 2" DIA., 10 GROOVE, J SECTION
22	1	MP505400	BELT, 37", J SECTION, 10 GROOVE
23	1	MP506700	PADHOLDER, 18", X-PAD, W/KEYED RISER
24	2	MP503800	SPACER, WHEEL, 1" OD X .5" ID X .75 L
25	1	MP503900	AXLE, REAR, .50 DIA. X 15.43 L
26	1	MP504500	BRACKET, ADJUSTMENT, BELT, ASM
27	1	NB073300	BOLT, HEX, 3/8-16 X 3 1/2, TAP, GD5, ZINC
28	2	MP502800	BRACKET, SUPPORT, HANDLE
29	2	MP503700	SPACER, PIVOT, NYLON, 1" OD X .38" ID X .315 L
30	1	MP506500	HANDLE, 225BU20V, ASM.
31	1	KA110137048	FILTER, ELEMENT
32	2	80295A	WASHER BOWED .516ID X 1.06OD
33	1	MP507200	CORD, PIGTAIL, 225BU
34	1	MP504100	MOTOR, 1.5HP, 115V, 3200RPM
35	4	NB5000	BOLT, CARRIAGE, 5/16 X 1
36	1	MP507800	FRAME, ASSEMBLY, 225BU20V
37	1	MP505300	SHROUD, DUST CONTROL, 225BU
38	1	MP506800	SKIRT, DUST, 20", 225BU
39	1	MP505200	COVER, DUST CONTROL, 225BU
40	1	51074A	CLAMP CABLE
41	1	NB8130	CLAMP, 3/4" ID, RETAINER
42	1	NB043800	GROMMET, 2"ID X 3/16 GROOVE X 2 3/4"OD
43	2	NB4381	SCREW, DRILL KWIK, 8 X 3/4
44	2	170906	SCREW, DRILL KWIK, 8 X 1/2
45	1	80291A	WASHER, FLAT, #10
46	1	41807A	CONTACTOR DPST 115V COIL 1.5 Hp
47	1	56454538	CIRCUIT BREAKER, 15A
48	2	NB033300	SCREW, BH, 10-24 X 7/8
49	1	56459367	BOOT, RESET BUTTON (NOT SHOWN)
50	2	NB9735	NUT, LOCK, 10-24, NYLON
51	2	NB9645	WASHER, FLAT, #10
52	2	NB025700	WASHER, LOCK, 1/4"

Handle Assembly (225BU20V)

Parts List			
ITEM	QTY	PART NUMBER	DESCRIPTION
1	1	61373A	HANDLE TUBE
2	1	MP506600	CORD, INTERCONNECT, 5 CONDUCTOR, UL
3	1	21075A	HANDLE, REAR - CFP
4	1	50781A	CLAMP HANDLE C2K
5	1	21074A	HANDLE, FRONT - CFP
6	1	10687A	INTERLOCK ASM.
7	3	80290A	SCREW, 10-32 UNF X .375
8	1	80291A	WASHER, FLAT, #10
9	2	980603	WASHER, LK 10 EXT TOOTH
10	1	MP476300	CORD, POWER, 14/3 X 50FT, ST, YELLOW
11	6	80284A	SCREW, 10-32 UNF X .75
12	1	MP504400	DECAL, HANDLE, 225BU

Parts List			
ITEM	QTY	PART NUMBER	DESCRIPTION
13	1	MP504200	HOUSING, BEARING, SPINDLE, FRONT
14	2	902567	BEARING BALL DOUBLE SEALED
15	1	167312	RING, RETAINER, INTERNAL
16	1	NB018500	RING, RETAINER, 3/4", C-STYLE, HD
17	1	NB070200	RING, RETAINING, EXT
18	1	MP503500	SHAFT, SPINDLE, FRONT

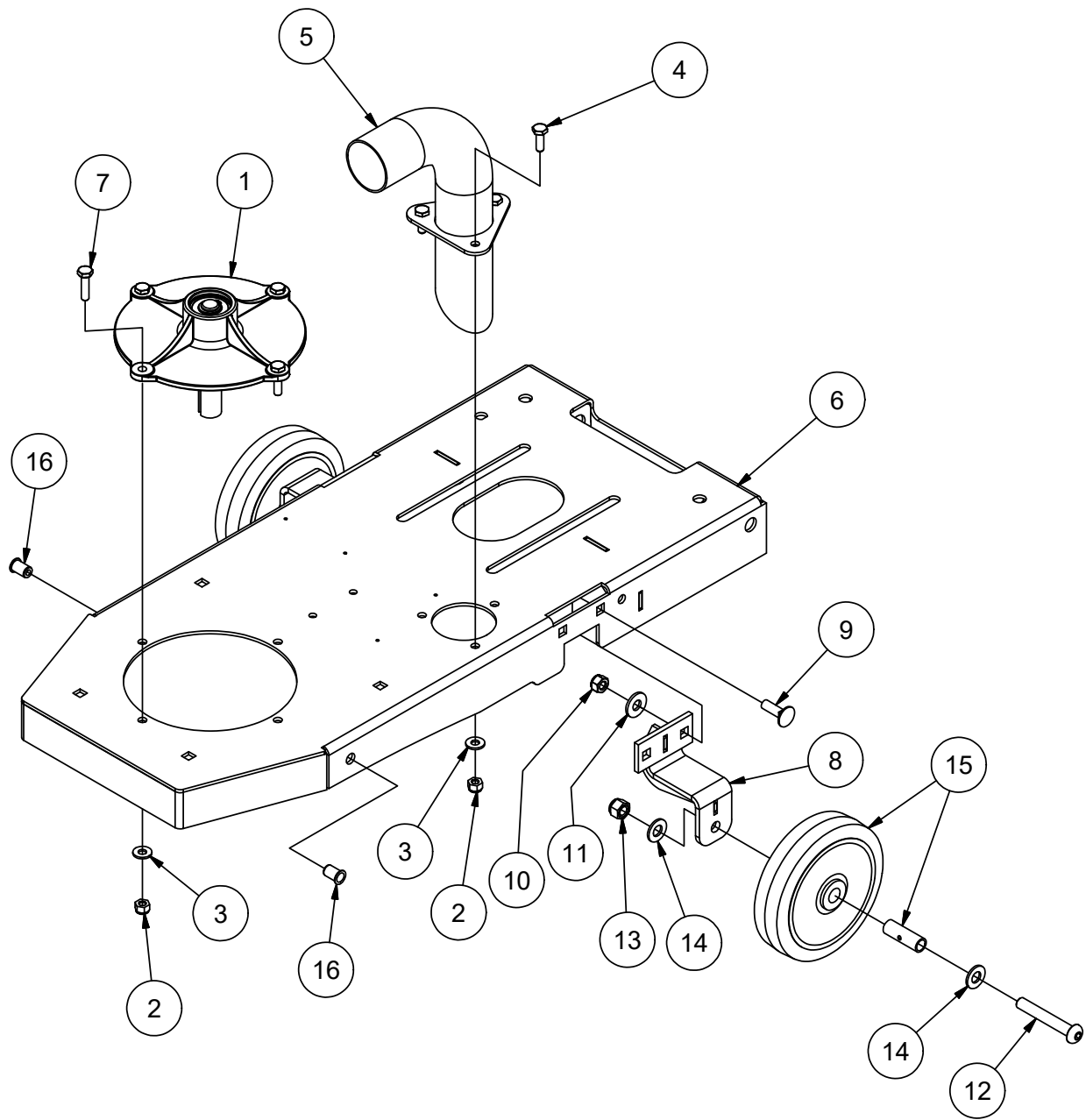
Handle Assembly (225BU20VE & 225BU20VEA)



Handle Assembly (225BU20VE & 225BU20VEA)

Parts List			
ITEM	QTY	PART NUMBER	DESCRIPTION
1	3	80290A	SCREW, 10-32 UNF X .375
2	1	AS018000	CORD, INTERCONNECT, EXPORT
3	1	50781A	CLAMP HANDLE C2K
4	1	61373A	HANDLE TUBE
5	1	21075A	HANDLE, REAR - CFP
6	1	21074A	HANDLE, FRONT - CFP
7	1	10687A	INTERLOCK ASM.
8	6	80284A	SCREW, 10-32 UNF X .75
9	2	980603	WASHER, LK 10 EXT TOOTH
10	1	80291A	WASHER, FLAT, #10
11	1	MP512000	CORD, PIGTAIL, HANDLE, EXPORT, IEC
12A	1	MP513000	CORD, POWER SUPPLY, CE, IEC, RED
12B	1	MP514000	CORD, POWER SUPPLY, AUSTRALIAN, IEC

Frame Assembly



Frame Assembly

Parts List			
ITEM	QTY	PART NUMBER	DESCRIPTION
1	1	MP504600	HOUSING, BEARING, SPINDLE, FRONT, ASM.
2	7	NB3275	NUT, LOCK, 1/4"
3	7	NB3350	WASHER, FLAT, 1/4"
4	3	NB019100	BOLT, HEX, 1/4-20 X 3/4, GD 5
5	1	MP507100	TUBE, DUST, 225BU
6	1	MP507000	FRAME, DUST CONTROL, 225BU, WELDMENT
7	4	85700A	SCREW, CAP, HH, 1/4-20 X 1
8	2	MP503000	BRACKET, WHEEL, WELDMENT
9	4	NB5000	BOLT, CARRIAGE, 5/16 X 1
10	4	NB3265	NUT, LOCK, 5/16"-18, NC
11	4	NB9267	WASHER, FLAT, 5/16"
12	2	NB073100	SCREW, BH, 3/8-16 X 2 1/2, SS
13	2	NB3267	NUT, LOCK, 3/8", NC
14	4	MX1080	WASHER, FLAT, 3/8
15	2	MP060800	WHEEL, 5", PERFORMA, W/ BUSHING
16	2	NB6501	INSERT, 1/4-20, COMPRESSION TYPE



Amano Pioneer Eclipse Corporation

1 Eclipse Rd ● PO Box 909
Sparta, North Carolina 28675 ● USA
www.pioneereclipse.com

+1-336-372-8080
1-800-367-3550
Fax +1-336-372-2913

Machinery Directive 2006/42/EC
ROHS Directive 2011/65/EU
EMC Directive 2014/30/EU
Harmonized Standards Applied: EN ISO 12100:2010, EN 60335-2-67:2012